

## RSW240V120

Ballast Type: Electronic  
 Input Voltage: 120Vac ±10%  
 Input Frequency: 50/60Hz

Starting Method: Preheat Rapid Start  
 Lamp Connection: Parallel

Unit Color: White  
 Unit Weight: 0.90 lbs.

### ELECTRICAL SPECIFICATIONS:

Line Voltage (V)	No. of Lamps	Lamp Type	Typical Lamp Watts (W)	Lamp Voltage (V)	Lamp Current (mA)	Input Current (A)	Input Power (W)	Power Factor	Input Current THD (%)	Lamp Current Crest Factor	Electrical Efficiency
108	2/1	F40T12	40	107	317	1.12	72	>0.50	70	1.62	0.91
120				102	409	1.23	88		70	1.65	0.91
132				97	508	1.33	105		72	1.58	0.89
108	2/1	Actinic BL TL 40W	39	100	345	1.23	75	>0.50	109	1.44	0.91
120				95	428	1.29	86		115	1.46	0.91
132				91	490	1.34	97		120	1.49	0.90
108	2/1	F36T8BL	36	104	326	1.11	71	>0.50	70	1.67	0.90
120				95	434	1.21	86		71	1.70	0.90
132				89	535	1.31	103		74	1.59	0.88
108	2/1	G36T8/OF	36	98	344	1.27	73	>0.50	110	1.47	0.90
120				90	429	1.26	84		116	1.49	0.90
132				86	490	1.30	94		122	1.52	0.88
108	2/1	GFT36DL/2G11/SE/OF	36	97	348	1.13	70	>0.50	99	1.54	0.92
120				86	420	1.18	79		102	1.57	0.90
132				81	520	1.23	92		108	1.54	0.91
108	2/1	PLL36W/TUV	36	97	348	1.13	70	>0.50	99	1.54	0.92
120				86	420	1.18	79		102	1.57	0.90
132				81	520	1.23	92		108	1.54	0.91
108	2/1	TUV 36W	36	101	330	1.47	70	>0.50	100	1.55	0.92
120				97	394	1.21	82		103	1.58	0.92
132				85	497	1.24	92		111	1.59	0.91
108	2/1	TUV PL-L 36W/4P	36	97	348	1.13	70	>0.50	99	1.54	0.92
120				86	420	1.18	79		102	1.57	0.90
132				81	520	1.23	92		108	1.54	0.91
108	2/1	23392 Osram HNS L 36 W 2G11	36	97	348	1.13	70	>0.50	99	1.54	0.92
120				86	420	1.18	79		102	1.57	0.90
132				81	520	1.23	92		108	1.54	0.91
108	2/1	59985 Osram HNS 36W G13	36	101	330	1.47	70	>0.50	100	1.55	0.92
120				97	394	1.21	82		103	1.58	0.92
132				85	497	1.24	92		111	1.59	0.91

### PERFORMANCE:

- Encased & Potted
- Sound Rated A
- Internal Surge Protection
- Meets FCC Part 18 (Class B) for EMI and RFI Consumer Limits
- Meets ANSI Standard C62.41 for Transient Protection
- Meets ANSI Standard C82.11 for Ballast Requirements

### APPLICATION:

- Maximum Case Temperature 167°F/75°C
- Maximum Ambient Temperature 104°F/50°C
- Minimum Starting Temperature 0°F/-18°C
- Lamp Starts >10,000 Starts
- Remote Mounting 18 ft. Max. Lead Length, 18AWG

### SAFETY/STANDARDS:

- UL/935 Listed (Class P, Type 1 Outdoor)
- cUL (CSA/C22.2 Certified)
- No PCB's, Type HL, Type CC
- Inherent Thermal Protection
- RoHS Compliant

### WARRANTY:

Robertson Worldwide warrants to the purchaser that this product will be free from defects in material or workmanship for a period of 3 years from date of manufacture when properly installed and under normal condition of use. Specifications subject to change without notice.

For more information on Robertson Worldwide products, visit [www.RobertsonLighting.com](http://www.RobertsonLighting.com)

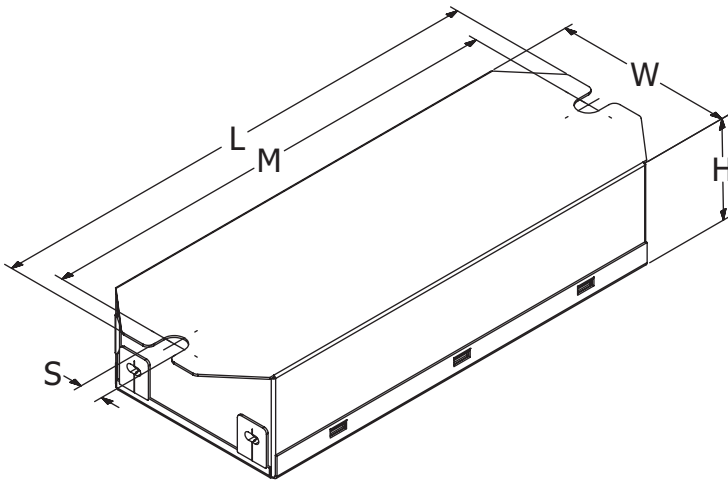
### RSW240V120

Ballast Type: Electronic  
 Input Voltage: 120Vac ±10%  
 Input Frequency: 50/60Hz

Starting Method: Preheat Rapid Start  
 Lamp Connection: Parallel

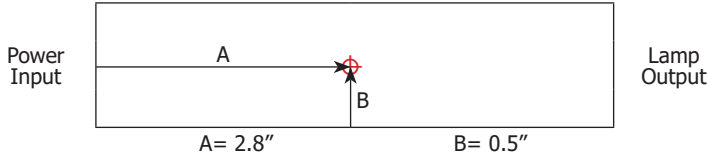
Unit Color: White  
 Unit Weight: 0.90 lbs.

**CASE STYLE: CS-9W4**

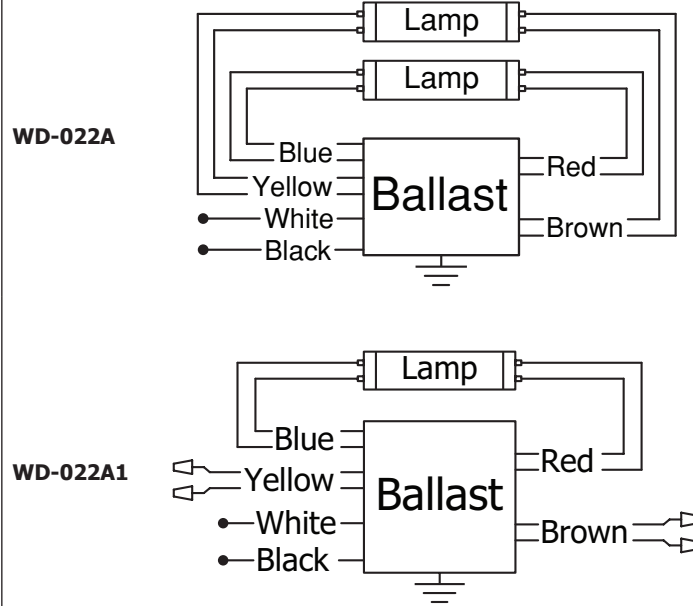


L	W	H	M	S
6-15/32	2-9/32	1-1/4	6	5/16
6.46	2.28	1.26	6.00	0.30
16.41cm	5.80cm	3.20cm	15.24cm	0.75cm

**HOT SPOT LOCATION: (Top Label Side of Ballast)**



**WIRING DIAGRAM:**



For 1 Lamp Application Cap Yellow and Brown Leads, Insulate to 600 Volts

- Black: 20"
- White: 20"
- Blue: (2) 37"
- Yellow: (2) 37"
- Tolerance: +1.00, -0.50"
- Strip: 0.375" ± 0.060"
- Red: (2) 26"
- Brown: (2) 26"
- Tolerance: +1.00, -0.50"
- Strip: 0.375" ± 0.060"

**WARRANTY:**

Robertson Worldwide warrants to the purchaser that this product will be free from defects in material or workmanship for a period of 3 years from date of manufacture when properly installed and under normal condition of use. Specifications subject to change without notice.  
 For more information on Robertson Worldwide products, visit [www.RobertsonLighting.com](http://www.RobertsonLighting.com)