

RSO126CQ120

Ballast Type: Electronic
 Input Voltage: 120VAC ±10%
 Input Frequency: 50-60Hz

Starting Method: Preheat Rapid Start
 Lamp Connection: Series

Unit Color: Galvanneal
 Unit Weight: 0.60 lbs.

ELECTRICAL SPECIFICATIONS:

Line Voltage (V)	Lamp Type	Lamp Watts	No. of Lamps	Line Current (A)	Input Power (W)	Power Factor	Max Current THD (%)	Current Crest Factor	Ballast Factor	B.E.F.	Wiring Diagram
120	CFQ26W/G24q*	26	1	0.43	26	≥ 0.50	≤ 140	≤ 1.7	0.88	3.26	103
120	FC8T9	22	1	0.38	22	≥ 0.50	≤ 140	≤ 1.7	0.90	4.13	103

* Primary Lamp Type

PERFORMANCE:

- Electronic Ballast
- Preheat Rapid Start
- Series Operation
- Normal Power Factor
- Normal Ballast Factor
- Encased & Potted
- Sound Rated A
- End-of-Lamp Life Protection
- Internal Surge Protection
- Meets FCC Part 18 (Class B) for EMI
- Meets ANSI Standard C62.41 for Transient Protection
- Meets ANSI Standard C82.11 for Ballast Requirements

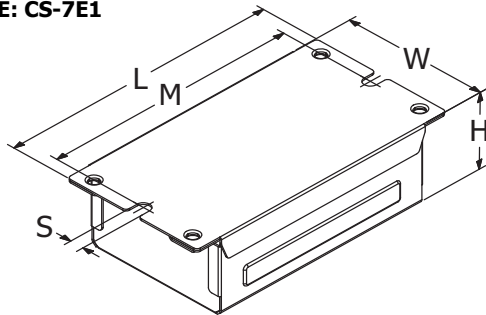
APPLICATION:

- Maximum Case Temperature: 167°F/75°C
- Maximum Ambient Temperature: 131°F/55°C
- Minimum Starting Temperature: 0°F/-18°C
- Lamp Starts: > 15,000 Starts
- Remote Mounting: 18 ft. Max. Lead Length, 18AWG

SAFETY/STANDARDS:

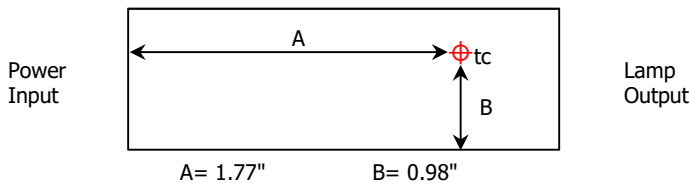
- UL/935 Listed (Class P, Type 1 Outdoor)
- cUL Certified
- No PCB's, Type HL
- Inherent Thermal Protection
- RoHS Compliant

CASE STYLE: CS-7E1

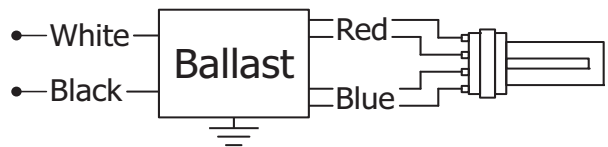


L	W	H	M	S
3 7/8	2 1/16	1 1/8	3 1/2	3/16
3.88	2.06	1.13	3.50	0.19
9.85 cm	5.23 cm	2.87 cm	8.89 cm	0.47 cm

HOT SPOT LOCATION: (Top Label Side of Ballast)



WIRING DIAGRAM: WD-103



- Black: 12"
- White: 12"
- Red: (2) 12"
- Blue: (2) 12"
- Strip: 0.375" ± 0.060"
- Tolerance: +1.00, -0.50"

WARRANTY:

Robertson Worldwide warrants to the purchaser that this product will be free from defects in material or workmanship for a period of 2 years from date of manufacture when properly installed and under normal condition of use. Specifications subject to change without notice.

For more information on Robertson Worldwide products, visit www.RobertsonLighting.com