

## RSN1GPH20120

Ballast Type: Electronic  
 Input Voltage: 120Vac ±10%  
 Input Frequency: 50-60Hz

Starting Method: Preheat Rapid  
 Lamp Connection: Series

Unit Color: White  
 Unit Weight: 0.33 lbs.

### ELECTRICAL SPECIFICATIONS:

Line Voltage (V)	Lamp Type	Lamp Wattage (W)	Approx. Lamp Length (in)	No. of Lamps	Arc Voltage (V)	Lamp Current (mA)	Line Current (A)	Input Power (W)
120	GPH212T5	10	8	1	24	425	0.21	13
120	GPH229T5	11	9	1	26	425	0.22	13
120	GPH262T5	13	10	1	31	425	0.23	14
120	GPH287T5	14	11	1	33	425	0.24	15
120	GPH305T5	15	12	1	35	425	0.24	15
120	GPH330T5	16	13	1	38	425	0.25	16
120	GU7610T5	16	7 U	1	38	425	0.27	17
120	GU2210T5	16	7 U	1	38	425	0.27	17
120	GPH357T5	17	14	1	40	425	0.27	17
120	GPH383T5	18	15	1	42	425	0.28	18
120	TUV18WPL-L	18	9	1	42	425	0.31	20
120	GPH406T5	20	16	1	47	425	0.32	21
120	G15T8	15	18	1	35	425	0.35	18
120	G20T10	20	24	1	47	425	0.38	22

### PERFORMANCE:

- Max Current THD = ≤ 150%
- Current Crest Factor = ≤ 1.7
- Normal Power Factor = ≥ 0.50
- Normal Ballast Factor
- Encased & Potted
- Sound Rated A
- Meets FCC Part 18 (Class B) for EMI
- Meets ANSI Standard C62.41 for Transient Protection
- Meets ANSI Standard C82.11 for Ballast Requirements

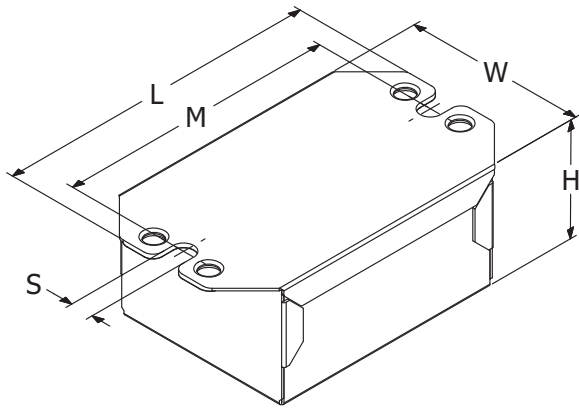
### APPLICATION:

- Maximum Case Temperature: 167°F/75°C
- Maximum Ambient Temperature: 104°F/40°C
- Minimum Starting Temperature: -22°F/-30°C
- Lamp Starts: > 15,000 Starts
- Remote Mounting: 18 ft. Max. Lead Length, 18AWG

### SAFETY/STANDARDS:

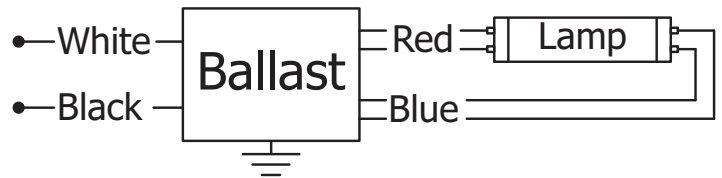
- UL/935 Listed (Class P, Type 1 Outdoor)
- No PCB's, Type HL
- Inherent Thermal Protection
- RoHS Compliant

### CASE STYLE: CS-7S



L	W	H	M	S
3	1-13/16	1-1/8	2-3/4	3/16
3.00	1.80	1.13	2.75	0.17
7.62 cm	4.57 cm	2.87 cm	6.99 cm	0.43 cm

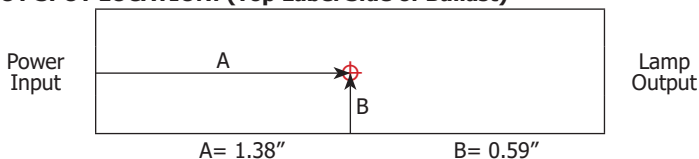
### WIRING DIAGRAM: WD-003



- Black: 8"
- White: 8"
- Tolerance: +1.00, -0.50"
- Strip: 0.375" ± 0.060"

- Red: (2) 8"
- Blue: (2) 8"
- Tolerance: +1.00, -0.50"
- Strip: 0.375" ± 0.060"

### HOT SPOT LOCATION: (Top Label Side of Ballast)



### WARRANTY:

Robertson Worldwide warrants to the purchaser that this product will be free from defects in material or workmanship for a period of 2 years from date of manufacture when properly installed and under normal condition of use. Specifications subject to change without notice.  
 For more information on Robertson Worldwide products, visit [www.RobertsonLighting.com](http://www.RobertsonLighting.com)