

RPZ117V230

Ballast Type: Electronic
 Input Voltage: 230Vac ±10%
 Input Frequency: 47-63Hz

Starting Method: Preheat Rapid Start
 Lamp Connection: Series

Unit Color: Galvanneal
 Unit Weight: 0.33 lbs.

ELECTRICAL SPECIFICATIONS:

Line Voltage (V)	No. of Lamps	Lamp Type	Typical Lamp Watts (W)	Lamp Voltage (V)	Lamp Current (mA)	Input Current (A)	Input Power (W)	Input Current THD (%)	Lamp Current Crest Factor	Electrical Efficiency
207	1	TUV PL-S 13W/2P	13	49	238	0.114	13.2	120	1.72	0.89
230				47	276	0.118	14.9	124	1.70	0.87
253				45	312	0.121	16.5	128	1.68	0.85
207	1	HNS S 13 W GX23 (GCF13DS/G23/SE/OF)	13	49	238	0.114	13.2	120	1.72	0.89
230				47	276	0.118	14.9	124	1.70	0.87
253				45	312	0.121	16.5	128	1.68	0.85
207	1	G15T8/OF	15	54	221	0.117	13.3	122	1.72	0.89
230				49	282	0.125	15.6	125	1.70	0.88
253				45	332	0.128	17.3	128	1.68	0.87
207	1	HNS 15 W G13	15	54	221	0.117	13.3	122	1.72	0.89
230				49	282	0.125	15.6	125	1.70	0.88
253				45	332	0.128	17.3	128	1.68	0.87
207	1	TUV 15W (G15T8)	15	54	221	0.117	13.3	122	1.72	0.89
230				49	282	0.125	15.6	125	1.70	0.88
253				45	332	0.128	17.3	128	1.68	0.87
207	1	TUV T8 F17 (G17T8)	17	73	190	0.131	15.8	111	1.65	0.91
230				70	232	0.140	18.4	114	1.63	0.90
253				68	269	0.146	20.9	118	1.61	0.89
207	1	DULUX L BL UVA 18W/78	18	62	213	0.129	14.8	124	1.72	0.89
230				55	278	0.139	17.5	127	1.70	0.88
253				52	346	0.154	20.8	128	1.68	0.87

PERFORMANCE:

- Power Factor = >0.50
- Encased & Potted
- Sound Rated A
- Internal Surge Protection
- Meets FCC Part 18 (Class B) for EMI and RFI Consumer Limits
- Meets ANSI Standard C62.41 for Transient Protection
- Meets ANSI Standard C82.11 for Ballast Requirements

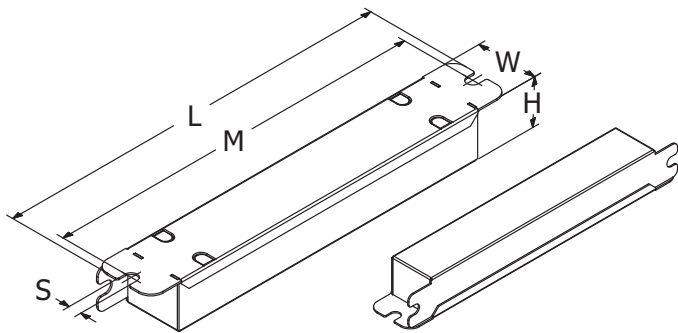
APPLICATION:

- Maximum Case Temperature: 167°F/75°C
- Maximum Ambient Temperature: 122°F/50°C
- Minimum Starting Temperature: 23°F/-5°C
- Remote Mounting: 18 ft. Max. Lead Length, 18AWG

SAFETY/STANDARDS:

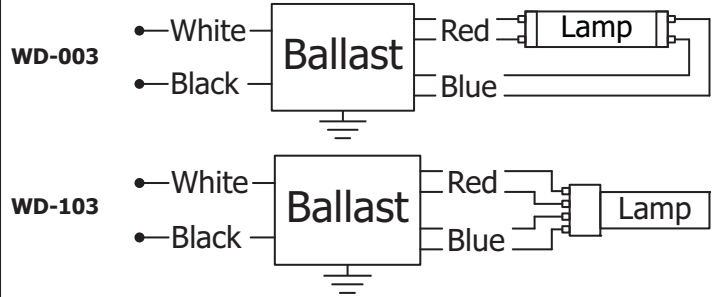
- UL/935 Listed (Class P, Type 1 Outdoor)
- cUL (CSA/C22.2 Certified)
- No PCBs, Type HL, Type CC
- Inherent Thermal Protection
- RoHS Compliant

CASE STYLE: CS-3C

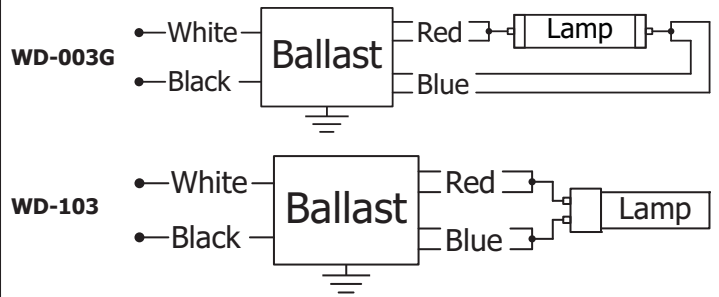


L	W	H	M	S
5-29/32	7/8	3/4	5-5/8	3/16
5.91	0.91	0.75	5.63	0.19
15.00 cm	2.30 cm	1.91 cm	14.29 cm	0.48 cm

WIRING DIAGRAM: (4-PIN LAMPS)



WIRING DIAGRAM: (2-PIN LAMPS)



- Black: 12"
- White: 12"
- Tolerance: +1.00, -0.50"
- Strip: 0.375" ± 0.060"
- Red: (2) 12"
- Blue: (2) 12"
- Tolerance: +1.00, -0.50"
- Strip: 0.375" ± 0.060"

WARRANTY:

Robertson Worldwide warrants to the purchaser that this product will be free from defects in material or workmanship for a period of 3 years from date of manufacture when properly installed and under normal condition of use. Specifications subject to change without notice.
 For more information on Robertson Worldwide products, visit www.RobertsonLighting.com