

RPZ117V120

Ballast Type: Electronic
 Input Voltage: 120Vac ±10%
 Input Frequency: 47-63Hz

Starting Method: Preheat Rapid Start
 Lamp Connection: Series

Unit Color: Galvanneal
 Unit Weight: 0.33 lbs.

ELECTRICAL SPECIFICATIONS:

Line Voltage (V)	No. of Lamps	Lamp Type	Typical Lamp Watts (W)	Lamp Voltage (V)	Lamp Current (mA)	Input Current (A)	Input Power (W)	Input Current THD (%)	Lamp Current Crest Factor	Electrical Efficiency	
108	1	TUV PL-S 13W/2P	13	47	222	0.20	11.7	142	1.57	0.90	
120				43	299	0.22	14.4	143	1.66	0.89	
132				40	373	0.24	17.1	144	1.62	0.88	
108	1	HNS S 13 W GX23 (GCF13DS/G23/SE/OF)	13	47	222	0.20	11.7	142	1.57	0.90	
120				43	299	0.22	14.4	143	1.66	0.89	
132				40	373	0.24	17.1	144	1.62	0.88	
108	1	*Actinic BL TL-D 15W/10	15			0.23	12.2				
120											
132											
108	1	G15T8/OF	15	45	334	0.32	17.4	150	1.53	0.87	
120				44	380	0.32	19.5	155	1.56	0.85	
132				43	419	0.33	21.3	160	1.56	0.84	
108	1	TUV 15W - G15T8	15	45	334	0.32	17.4	150	1.53	0.87	
120				44	380	0.32	19.5	155	1.56	0.85	
132				43	419	0.33	21.3	160	1.56	0.84	
108	1	TUV T8 F17 - G17T8	17	78	147	0.22	13.3	137	1.40	0.86	
120				75	178	0.23	15.3	140	1.42	0.88	
132				72	218	0.25	17.5	142	1.47	0.90	

*Not cULus tested.

PERFORMANCE:

- Power Factor = >0.50
- Encased & Potted
- Sound Rated A
- Internal Surge Protection
- Meets FCC Part 18 (Class B) for EMI and RFI Consumer Limits
- Meets ANSI Standard C62.41 for Transient Protection
- Meets ANSI Standard C82.11 for Ballast Requirements

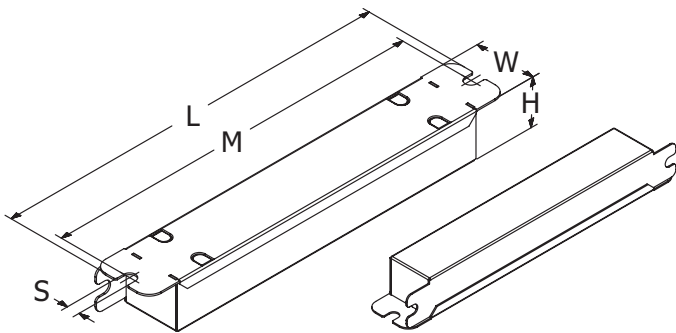
APPLICATION:

- Maximum Case Temperature: 167°F/75°C
- Maximum Ambient Temperature: 122°F/50°C
- Minimum Starting Temperature: 23°F/-5°C
- Remote Mounting: 18 ft. Max. Lead Length, 18AWG

SAFETY/STANDARDS:

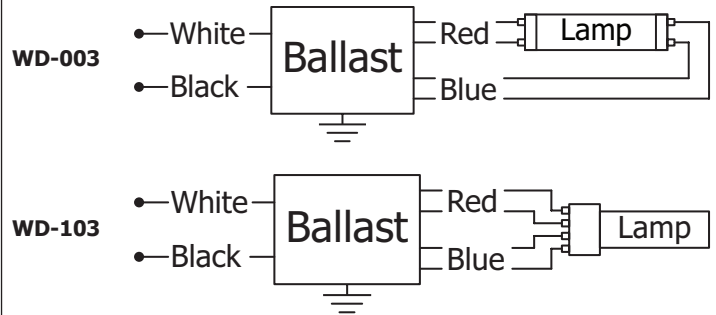
- UL/935 Listed (Class P, Type 1 Outdoor)
- cUL (CSA/C22.2 Certified)
- No PCBs, Type HL, Type CC
- Inherent Thermal Protection
- RoHS Compliant

CASE STYLE: CS-3C

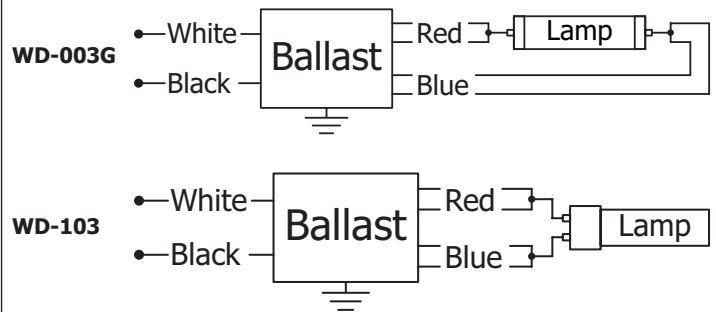


L	W	H	M	S
5-29/32	7/8	3/4	5-5/8	3/16
5.91	0.91	0.75	5.63	0.19
15.00 cm	2.30 cm	1.91 cm	14.29 cm	0.48 cm

WIRING DIAGRAM: (4-PIN LAMPS)



WIRING DIAGRAM: (2-PIN LAMPS)



- Black: 12"
- White: 12"
- Tolerance: +1.00, -0.50"
- Strip: 0.375" ± 0.060"
- Red: (2) 12"
- Blue: (2) 12"
- Tolerance: +1.00, -0.50"
- Strip: 0.375" ± 0.060"

WARRANTY:

Robertson Worldwide warrants to the purchaser that this product will be free from defects in material or workmanship for a period of 3 years from date of manufacture when properly installed and under normal condition of use. Specifications subject to change without notice.

For more information on Robertson Worldwide products, visit www.RobertsonLighting.com