

RPZ109V230

Ballast Type: Electronic
 Input Voltage: 230Vac ±10%
 Input Frequency: 47-63Hz

Starting Method: Preheat Rapid Start
 Lamp Connection: Series

Unit Color: Galvanneal
 Unit Weight: 0.33 lbs.

ELECTRICAL SPECIFICATIONS:

Line Voltage (V)	No. of Lamps	Lamp Type	Typical Lamp Watts (W)	Lamp Voltage (V)	Lamp Current (mA)	Input Current (A)	Input Power (W)	Input Current THD (%)	Lamp Current Crest Factor	Electrical Efficiency
207	1	TUV 5W	5	26	170	0.054	5.4	149	1.68	0.83
230				25	212	0.059	6.6	150	1.69	0.80
253				24	251	0.063	7.6	152	1.69	0.79
207	1	TUV PL-S 5W	5	26	170	0.054	5.4	149	1.68	0.83
230				25	212	0.059	6.6	150	1.69	0.80
253				24	251	0.063	7.6	152	1.69	0.79
207	1	HNS S 5 W G23 (GCF5DS/G23/SE/OF)	5	26	170	0.054	5.4	149	1.68	0.83
230				25	212	0.059	6.6	150	1.69	0.80
253				24	251	0.063	7.6	152	1.69	0.79
207	1	HNS 6 W G5	6	34	143	0.059	6.0	145	1.62	0.81
230				32	190	0.066	7.5	145	1.66	0.81
253				30	228	0.072	8.9	146	1.78	0.77
207	1	TUV 6W FAM	6	34	143	0.059	6.0	145	1.62	0.81
230				32	190	0.066	7.5	145	1.66	0.81
253				30	228	0.072	8.9	146	1.78	0.77
207	1	HNS S 7 W G23 (GCF7DS/G23/SE/OF)	7	40	154	0.072	7.5	136	1.66	0.82
230				36	187	0.069	8.3	136	1.68	0.82
253				32	227	0.073	9.1	134	1.76	0.79
207	1	HNS S/E 7W 2G7	7	45	120	0.064	6.6	136	1.66	0.82
230				43	142	0.063	7.4	136	1.68	0.81
253				36	178	0.065	8.1	134	1.76	0.79
207	1	TUV 8W FAM	8	52	123	0.070	7.6	136	1.56	0.84
230				47	159	0.075	8.9	138	1.63	0.84
253				43	198	0.081	10.5	139	1.67	0.82
207	1	HNS 8 W G5 (G8T5/OF)	8	52	123	0.070	7.6	136	1.56	0.84
230				47	159	0.075	8.9	138	1.63	0.84
253				43	198	0.081	10.5	139	1.67	0.82
207	1	Actinic BL PL-S 9W	9	53	147	0.074	8.1	133	1.67	0.96
230				50	175	0.079	9.5	135	1.68	0.92
253				47	210	0.085	11.1	137	1.69	0.86
207	1	DULUX S BL UVA 9W/78	9	53	147	0.074	8.1	133	1.67	0.96
230				50	175	0.079	9.5	135	1.68	0.92
253				47	210	0.085	11.1	137	1.69	0.89
207	1	TUV PL-S 9W/4P	9	53	147	0.074	8.1	133	1.67	0.96
230				50	175	0.079	9.5	135	1.68	0.92
253				47	210	0.085	11.1	137	1.69	0.86
207	1	HNS S 9 W G23 (GCF9DS/G23/SE/OF)	9	53	147	0.074	8.1	133	1.67	0.96
230				50	175	0.079	9.5	135	1.68	0.92
253				47	210	0.085	11.1	137	1.69	0.86
207	1	HNS S/E 9W 2G7	9	52	125	0.071	7.6	136	1.57	0.86
230				48	161	0.077	9.1	138	1.64	0.86
253				45	200	0.083	10.7	139	1.68	0.85
207	1	HNS S 11 W G23 (GCF11DS/G23/SE/OF)	11	73	148	0.095	11.1	119	1.66	0.97
230				70	168	0.100	12.7	122	1.67	0.93
253				68	193	0.106	14.5	126	1.67	0.91
207	1	HNS S/E 11 W 2G7	11	86	105	0.092	10.7	120	1.54	0.85
230				80	132	0.097	12.3	124	1.56	0.89
253				76	160	0.102	13.9	128	1.61	0.87

PERFORMANCE:

- Power Factor = >0.50
- Encased & Potted
- Sound Rated A
- Internal Surge Protection
- Meets FCC Part 18 (Class B) for EMI and RFI Consumer Limits
- Meets ANSI Standard C62.41 for Transient Protection
- Meets ANSI Standard C82.11 for Ballast Requirements

APPLICATION:

- Maximum Case Temperature: 167°F/75°C
- Maximum Ambient Temperature: 122°F/50°C
- Minimum Starting Temperature: 23°F/-5°C
- Remote Mounting: 18 ft. Max. Lead Length, 18AWG

SAFETY/STANDARDS:

- UL/935 Listed (Class P, Type 1 Outdoor)
- cUL (CSA/C22.2 Certified)
- No PCBs, Type HL, Type CC
- Inherent Thermal Protection
- RoHS Compliant

WARRANTY:

Robertson Worldwide warrants to the purchaser that this product will be free from defects in material or workmanship for a period of 3 years from date of manufacture when properly installed and under normal condition of use. Specifications subject to change without notice.

For more information on Robertson Worldwide products, visit www.RobertsonLighting.com

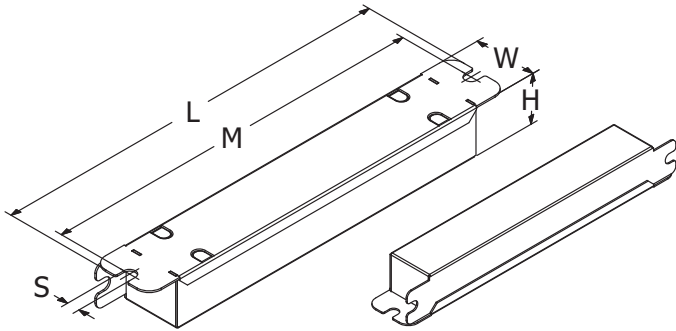
RPZ109V230

Ballast Type: Electronic
 Input Voltage: 230Vac ±10%
 Input Frequency: 47-63Hz

Starting Method: Preheat Rapid Start
 Lamp Connection: Series

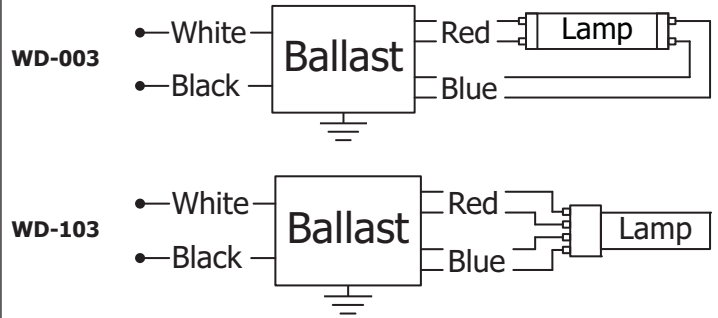
Unit Color: Galvanneal
 Unit Weight: 0.33 lbs.

CASE STYLE: CS-3C

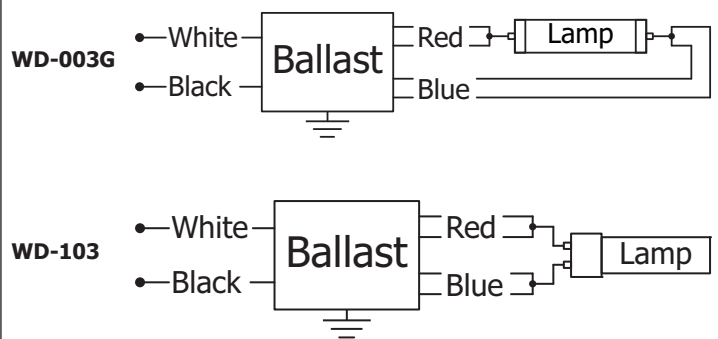


L	W	H	M	S
5-29/32	7/8	3/4	5-5/8	3/16
5.91	0.91	0.75	5.63	0.19
15.00 cm	2.30 cm	1.91 cm	14.29 cm	0.48 cm

WIRING DIAGRAM: (4-PIN LAMPS)



WIRING DIAGRAM: (2-PIN LAMPS)



- Black: 12"
- White: 12"
- Tolerance: +1.00, -0.50"
- Strip: 0.375" ± 0.060"
- Red: (2) 12"
- Blue: (2) 12"
- Tolerance: +1.00, -0.50"
- Strip: 0.375" ± 0.060"

WARRANTY:

Robertson Worldwide warrants to the purchaser that this product will be free from defects in material or workmanship for a period of 3 years from date of manufacture when properly installed and under normal condition of use. Specifications subject to change without notice.

For more information on Robertson Worldwide products, visit www.RobertsonLighting.com