

REN1L26120

Ballast Type: Electronic
 Input Voltage: 120VAC ±10%
 Input Frequency: 50-60Hz

Starting Method: Preheat Rapid Start
 Lamp Connection: Series

Unit Color: Galvanneal
 Unit Weight: 0.50 lbs.

ELECTRICAL SPECIFICATIONS:

Line Voltage (V)	Lamp Type	Lamp Watts	No. of Lamps	Line Current (A)	Input Power (W)	Power Factor	Max Current THD (%)	Current Crest Factor	Ballast Factor	B.E.F.	Wiring Diagram
120	CFQ26W/G24q,* CFTR26W/GX24q	26	1	0.34	23	≥ 0.52	≤ 150	≤ 1.6	0.85	3.70	103
120	CFQ18W/G24q, CFTR18W/GX24q	18	1	0.30	20	≥ 0.52	≤ 150	≤ 1.6	1.05	5.25	103
120	FT18W/2G11RS	18	1	0.27	18	≥ 0.52	≤ 150	≤ 1.7	0.90	5.00	103
120	FT18W/2G11	18	1	0.32	21	≥ 0.52	≤ 150	≤ 1.7	0.80	3.81	103
120	CFS28W/GR10q	28	1	0.35	24	≥ 0.52	≤ 150	≤ 1.7	0.85	3.54	103
120	CFS21W/GR10q	21	1	0.30	21	≥ 0.52	≤ 150	≤ 1.7	0.90	4.29	103
120	F25T8, F25T8U	25	1	0.35	24	≥ 0.52	≤ 150	≤ 1.7	0.90	3.75	003
120	F17T8, F17T8U	17	1	0.28	18	≥ 0.52	≤ 150	≤ 1.7	0.95	5.28	003
120	F15T8	15	1	0.22	16	≥ 0.52	≤ 150	≤ 1.7	0.95	5.94	003

* Primary Lamp Type

PERFORMANCE:

- Electronic Ballast
- Preheat Rapid Start
- Series Operation
- Normal Power Factor
- Normal Ballast Factor
- Encased & Potted
- Sound Rated A
- Meets FCC Part 18 (Class B) for EMI
- Meets ANSI Standard C62.41 for Transient Protection
- Meets ANSI Standard C82.11 for Ballast Requirements

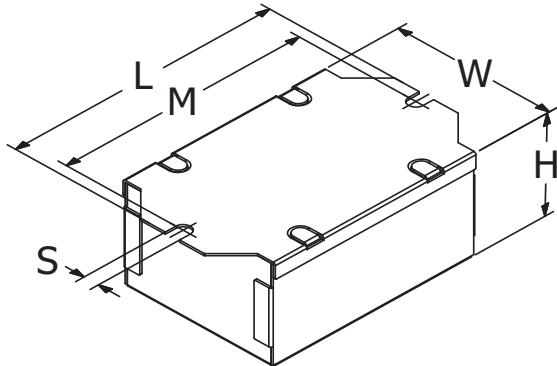
APPLICATION:

- Maximum Case Temperature: 167°F/75°C
- Maximum Ambient Temperature: 104°F/40°C
- Minimum Starting Temperature: 0°F/-18°C
- Lamp Starts: > 15,000 Starts
- Remote Mounting: 18 ft. Max. Lead Length, 18AWG

SAFETY/STANDARDS:

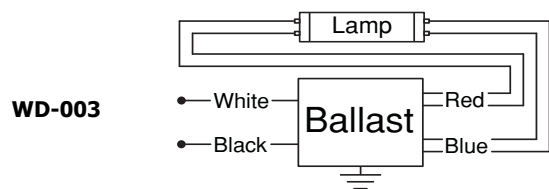
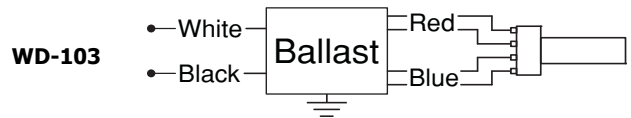
- UL/935 Listed (Class P, Type 1 Outdoor)
- CSA/C22.2 Certified
- No PCB's, Type HL, Type CC
- Inherent Thermal Protection
- RoHS Compliant
- Open Circuit Voltage: 300V

CASE STYLE: CS-



L	W	H	M	S
3	1 13/16	1 1/8	2 3/4	5/32
3.00	1.80	1.13	2.75	0.17
7.62 cm	4.57 cm	2.87 cm	6.99 cm	0.43 cm

WIRING DIAGRAM:



- Black: 6"
- White: 6"
- Red: (2) 6"
- Blue: (2) 6"
- Tolerance: +1.00, -0.50"
- Strip: 0.375" ± 0.060"

WARRANTY:

Robertson Worldwide warrants to the purchaser that this product will be free from defects in material or workmanship for a period of 3 years from date of manufacture when properly installed and under normal condition of use. Specifications subject to change without notice.

For more information on Robertson Worldwide products, visit www.RobertsonLighting.com