

PSP2GPH75HOHV

Ballast Type: Electronic
 Input Voltage: 220-277Vac ±10%
 Input Frequency: 47-63Hz

Starting Method: Program Start
 Lamp Connection: Series

Unit Color: Galvanneal
 Unit Weight: 1.19 lbs.

ELECTRICAL SPECIFICATIONS:

Line Voltage (V)	Lamp Type	Lamp Wattage (W)	Approx. Lamp Length (in)	No. of Lamps	Arc Voltage (V)	Lamp Current (mA)	1-10V Dimming Min. / Max. 33%-50% depending on lamp load		
							Line Current (A)	Input Power (W)	Electrical Efficiency
198	GPH436T5L/HO	48	17	2	60	800	0.42 / 0.49	82 / 96	0.71 / 0.83
220							0.39 / 0.45	83 / 97	0.71 / 0.82
277							0.32 / 0.37	83 / 97	0.70 / 0.82
305							0.30 / 0.34	84 / 97	0.70 / 0.82
198	GPH436T5L/HO	48	17	1	60	800	0.24 / 0.29	47 / 54	0.70 / 0.78
220							0.25 / 0.27	47 / 55	0.70 / 0.77
277							0.20 / 0.27	48 / 57	0.69 / 0.76
305							0.20 / 0.22	48 / 57	0.68 / 0.76
198	GHO64T5L/4	155	61	1	220	800	0.68 / 0.85	132 / 169	0.80 / 0.88
220							0.61 / 0.77	132 / 168	0.80 / 0.88
277							0.48 / 0.62	132 / 167	0.80 / 0.89
305							0.44 / 0.56	133 / 167	0.80 / 0.88
198	TUV 75W T8 HO	75	47	2	108	840	0.66 / 0.89	130 / 176	0.71 / 0.86
220							0.60 / 0.80	130 / 174	0.71 / 0.87
277							0.48 / 0.64	130 / 174	0.71 / 0.87
305							0.45 / 0.59	131 / 174	0.71 / 0.87
198	TUV 75W T8 HO	75	47	1	108	840	0.38 / 0.48	75 / 94	0.74 / 0.84
220							0.35 / 0.44	75 / 94	0.74 / 0.84
277							0.29 / 0.36	75 / 94	0.73 / 0.84
305							0.27 / 0.33	75 / 94	0.74 / 0.84
198	PLL95 2G11	95	21	1	100	950	0.42 / 0.55	83 / 107	0.79 / 0.86
220							0.38 / 0.49	82 / 106	0.79 / 0.86
277							0.31 / 0.40	83 / 107	0.79 / 0.86
305							0.29 / 0.36	83 / 107	0.78 / 0.86

PERFORMANCE:

- Program Start electronic ballast
- Max Current THD = ≤15%
- Power Factor = ≥0.95
- Poke-in, Easy release connectors
- Connector power & lamp LED
- 0-10V Controlled Output to 50%
- Remote On/Off Control
- Internal Surge Protection
- Encased & Potted
- End of Lamp Life Protection
- Ignition attempts before EOL shutdown – 2
- Rh/Rc = 4.70 for longest lamp life
- Best in class performance for EMC and EMI FCC Part 18 Class B and EN55015
- Meets ANSI Standard C62.41-1991 for transient protection
- Meets ANSI Standard C82.11-2011 for ballast requirements
- EN61000-3-2: 2014 Electromagnetic compatibility (EMC) — Part 3-2: Limits — Limits for harmonic current emissions (equipment input current ≤ 16 A per phase)
- EN61000-3-3: 2013 Electromagnetic compatibility (EMC) — Part 3-3: Limits — Limitation of voltage changes, voltage fluctuations and flicker in public low voltage supply systems, for equipment with rated current ≤ 16 A per phase and not subjected to conditional connection
- EN61547: 2009, Equipment for general lighting purposes — EMC immunity requirement

APPLICATION:

- Flexible wiring
- IP61 Rated
- Maximum case temperature 194°F/90°C
- Maximum ambient temperature 140°F/60°C
- Minimum starting temperature 0°F/-18°C
- Lamp Starts >50,000 Starts
- Remote Mounting 18 ft. Max. Lead Length, 18AWG
- 2.5 second preheat time

SAFETY/STANDARDS:

- UL/935 Listed (Class P, Type CC, Type 1 Outdoor, Type HL)
- cUL (CSA/C22.2 Certified)
- Leakage Current to UL/935 Standard
- CE Compliant
- EN 61347-1:2001
- EN 61347-2-1:2001
- EN 61347-2-3:2000
- RoHS EU Directive 2011/65/EU&2015/863 Amendment (RoHS 3)
- No PCB's
- Steel Enclosure
- Robertson Patented All*Star and IEC 61547-2-3 EOL Protection for:
 - Open filaments
 - High lamp voltage
 - Lamp rectification
 - Limited restrike attempts
 - Low input voltage

WARRANTY:

Robertson Worldwide warrants to the purchaser that this product will be free from defects in material or workmanship for a period of 5 years from date of manufacture when properly installed and under normal condition of use. Specifications subject to change without notice.
 For more information on Robertson Worldwide products, visit www.RobertsonLighting.com

PSP2GPH75HOHV

U.S. PATENT NUMBERS:

6,366,032 B1 ; 6,420,838 B1; 5,436,529

FEATURES:

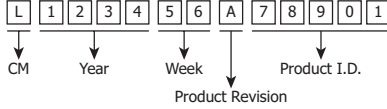
- Expanded lamp power range
- Remote Control Switching
- Remote relay driver for lamp indication
- Remote relay (5.0V, 30mA)
- 0-10V input dimming control
- Power and Lamp LED connectors (5.0V)

Click on image to view 3D model
(Download and Open in [Adobe Reader 7](#) or later)

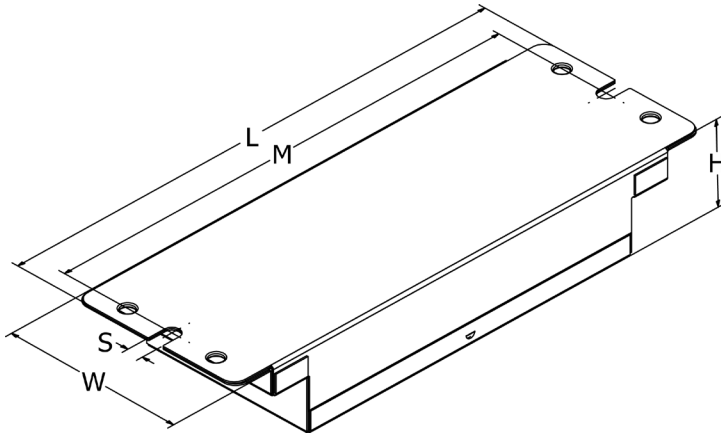
3D step file



Date Code Decoder



CASE STYLE: CS-14B



L	W	H	M	S
8 5/32	2 25/32	1 3/8	7 9/16	1/4
8.16	2.80	1.39	7.58	0.25
20.72cm	7.10cm	3.52cm	19.26cm	0.64cm

LED SPECIFICATIONS:

LED	Recommended Max. LED Rating	Output Voltage (Vdc)	Output Current (mA)	
Power	5.0V, 30mA	3.0V	1mA @ 120V 2mA @ 277V	LED Is Not Isolated
Lamp	5.0V, 30mA	4.0V	2mA @ 120V 2mA @ 277V	LED Is Isolated

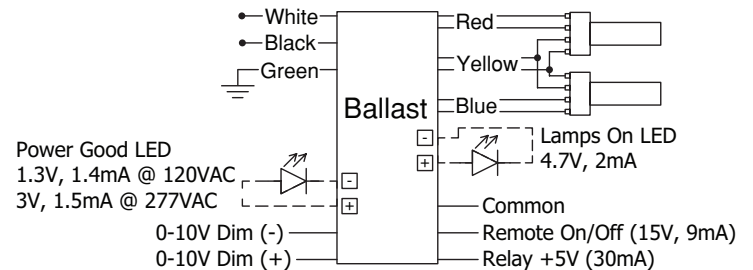
WARRANTY:

Robertson Worldwide warrants to the purchaser that this product will be free from defects in material or workmanship for a period of 5 years from date of manufacture when properly installed and under normal condition of use. Specifications subject to change without notice.

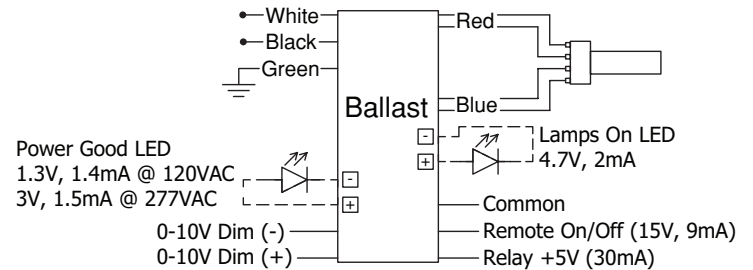
For more information on Robertson Worldwide products, visit www.RobertsonLighting.com

4152 Independence Court, Suite C2, Sarasota, FL 34234

WIRING DIAGRAM: WD-154A



WIRING DIAGRAM: WD-154A2

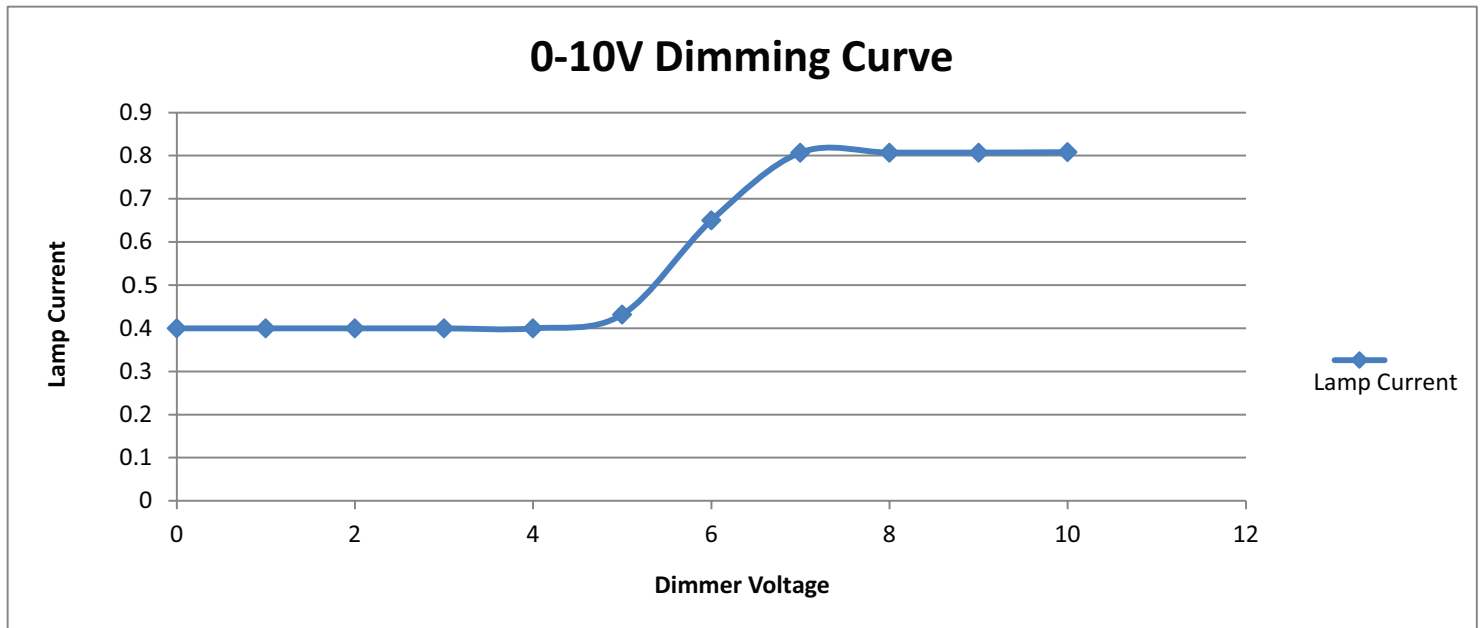


- Use 18 AWG Solid Copper Wire, Stripped to 3/8"
- For 1 Lamp Application Omit Yellow Connections
- Close Single Switch Remote On/Off to Turn Off Ballast
- 5V Relay Contacts are closed when lamp(s) On

PSP2GPH75HOHV

0-10V Dimming Curve		
Line Voltage (Vrms)	Dimmer Voltage (V)	Lamp Current (A)
220	10	0.808
221	9	0.807
222	8	0.807
223	7	0.807
224	6	0.65
225	5	0.432
226	4	0.400
227	3	0.400
228	2	0.400
229	1	0.400
230	0	0.400

Lamp under test: G75WT8 (2)



WARRANTY:

Robertson Worldwide warrants to the purchaser that this product will be free from defects in material or workmanship for a period of 5 years from date of manufacture when properly installed and under normal condition of use. Specifications subject to change without notice.

For more information on Robertson Worldwide products, visit www.RobertsonLighting.com