

PSP2GPH40HOIVDW

Ballast Type: Electronic
 Input Voltage: 100-277Vac ±10%
 Input Frequency: 50-60Hz

Starting Method: Program
 Lamp Connection: Series

Unit Color: White
 Unit Weight: 0.90 lbs.

ELECTRICAL SPECIFICATIONS:

Line Voltage (V)	Lamp Type	Lamp Wattage (W)	Approx. Lamp Length (in)	No. of Lamps	Arc Voltage (V)	Lamp Current (mA)	Line Current (A)	Input Power (W)	Energy Efficiency
100	GPH212T5HO	18	8	2	23	800	0.45	42	n/a
120							0.34		
277							0.15		
100	GPH212T5HO	18	8	1	23	800	0.23	24	n/a
120							0.19		
277							0.10		
100	GPH287T5HO	27	11	2	34	800	0.53	54	n/a
120							0.45		
277							0.19		
100	GPH287T5HO	27	11	1	34	800	0.29	30	n/a
120							0.24		
277							0.12		
100	GPH357T5HO	32	14	2	40	800	0.59	59	0.80
120							0.53		
277							0.21		
100	GPH357T5HO	32	14	1	40	800	0.32	33	0.79
120							0.28		
277							0.13		
100	GPH436T5HO	48	17	1	60	800	0.40	41	n/a
120							0.35		
277							0.15		
100	GPH508T5HO	51	20	1	64	800	0.48	47	n/a
120							0.38		
277							0.17		
100	GPH608T5HO	60	20	1	75	800	0.53	54	n/a
120							0.45		
277							0.20		
100	*GPH841T5HO	86	33	1	108	800	0.72	72	n/a
120							0.58		
277							0.27		
100	LTCQ32WHOL/2G11	32	8	2	38	744	0.67	67	0.82
120							0.56		
277							0.25		
100	LTCQ32WHOL/2G11	32	8	1	38	794	0.36	38	0.79
120							0.30		
277							0.14		
120	LTCQ35WHO/2G11	36	9	2	39	724	0.58	70	0.81
120	LTCQ35WHO/2G11	36	9	1	42	774	0.34	41	0.80
100	LTCQ62WHOL/2G11	62	14	1	62	782	0.57	57	0.84
120							0.47		
277							0.21		
120	TUV55WPL-L	55	21	1	69	800	0.63	74	n/a
277							0.26		
120	TUV60W HO	60	16	1	75	800	0.65	74	n/a
277							0.28		
120	TUV75W HO	75	47	1	94	800	0.70	82	n/a
277							0.29		

* Depending on manufacturer and environment, may not start reliably.

WARRANTY:

Robertson Worldwide warrants to the purchaser that this product will be free from defects in material or workmanship for a period of 5 years from date of manufacture when properly installed and under normal condition of use. Specifications subject to change without notice.

For more information on Robertson Worldwide products, visit www.RobertsonLighting.com

PSP2GPH40HOIVDW

PERFORMANCE:

- Max Current THD = $\leq 15\%$
- Current Crest Factor = ≤ 1.7
- Power Factor = ≥ 0.97
- Encased & Potted
- Sound Rated A
- All-star (EOL) Protection
- Meets FCC Part 18 (Class B) for EMI and RFI Consumer Limits at 120-240V
- Meets CE Requirements (120-240V)
- Meets ANSI Standard C62.41 for Transient Protection
- Meets ANSI Standard C82.11 for Ballast Requirements

APPLICATION:

- Maximum Case Temperature 185°F/85°C
- Maximum Ambient Temperature 140°F/60°C
- Minimum Starting Temperature -22°F/-30°C
- Not Recommended for Extreme Temperature Variations
- Lamp Starts > 50,000 Starts
- Remote Mounting 18 ft. Max. Lead Length, 18AWG

SAFETY/STANDARDS:

- UL/935 Listed (Class P, Type 1 Outdoor)
- cUL (CSA/C22.2 Certified)
- No PCB's, Type HL, Type CC
- Inherent Thermal Protection
- RoHS Compliant

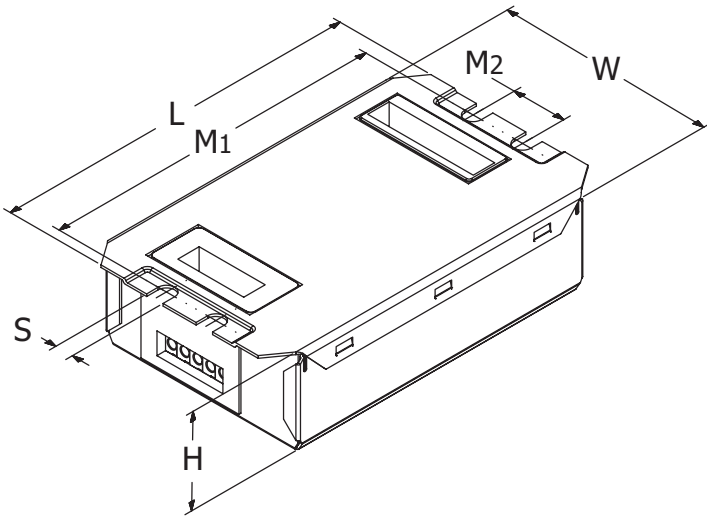
FEATURES:

- Power LED connectors (2.5V)
- Lamp LED connectors (2.5V)

U.S. PATENT NUMBERS:

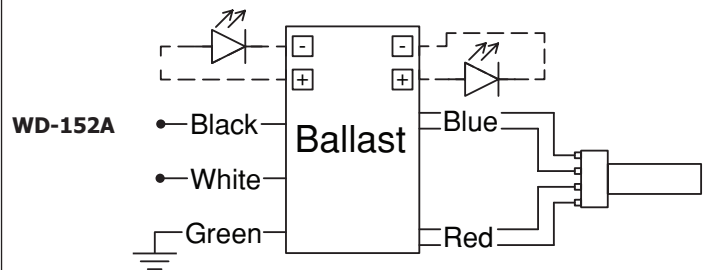
6,366,032 B1 ; 6,420,838 B1; 5,436,529

CASE STYLE: CS-24

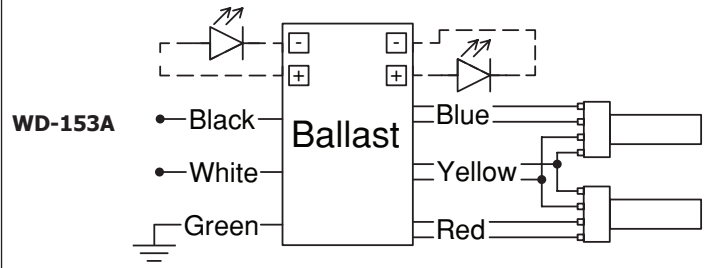


L	W	H	M1	M2	S
5	3	1-3/8	4-5/8	3/4	1/4
5.00	3.00	1.38	4.63	0.75	0.25
12.7 cm	7.62 cm	3.49 cm	11.75 cm	7.62 cm	0.64 cm

WIRING DIAGRAM:

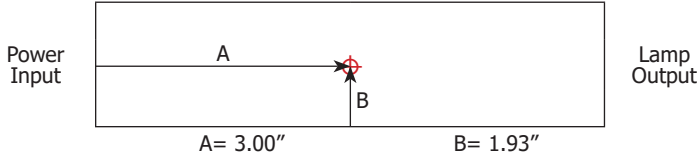


For 1 Lamp Application Omit Yellow Connections



Use 18 AWG Solid Copper Wire, Stripped to 3/8"

HOT SPOT LOCATION: (Top Label Side of Ballast)



LED SPECIFICATIONS:

LED Output	LED Connectors	LED Type	Output Voltage (Vdc)	Output Current (mA)
Power	Gray	2.5V	3.0	2.0
Lamp	Gray	2.5V	3.0	5.0

1. Power LED is ON as long as there is AC in, providing true detection of AC power.
 2. Lamp LED shows filament current at YELLOW connection.
 - LED will be ON for Single Lamp Application.
 - LED will be ON for Two Lamp Application.
- Note: For two lamp application, ballast will shutdown if one lamp goes out.

WARRANTY:

Robertson Worldwide warrants to the purchaser that this product will be free from defects in material or workmanship for a period of 5 years from date of manufacture when properly installed and under normal condition of use. Specifications subject to change without notice.

For more information on Robertson Worldwide products, visit www.RobertsonLighting.com