

PSM2GPH24IV

Ballast Type: Electronic
 Input Voltage: 100-277Vac ±10%
 Input Frequency: 47-63Hz

Starting Method: Program Start
 Lamp Connection: Series

Unit Color: Galvanneal
 Unit Weight: 0.99 lbs.

ELECTRICAL SPECIFICATIONS:

Line Voltage (V)	Lamp Type	Lamp Wattage (W)	Approx. Lamp Length (in)	No. of Lamps	Arc Voltage (V)	Lamp Current (mA)	1-10V Dimming Min. / Max. 33%-50% depending on lamp load		
							Line Current (A)	Input Power (W)	Electrical Efficiency
100	GPH212T5	10	8	2	24	425	0.27 / 0.27	27.0 / 26.9	0.47 / 0.76
120							0.17 / 0.23	19.7 / 27.3	0.57 / 0.75
240							0.09 / 0.12	20.3 / 27.5	0.55 / 0.74
277							0.09 / 0.11	20.6 / 27.8	0.54 / 0.73
100	GPH212T5	10	8	1	24	425	0.11 / 0.15	11.2 / 15.2	0.60 / 0.65
120							0.10 / 0.13	11.8 / 15.9	0.55 / 0.67
240							0.07 / 0.08	12.6 / 16.6	0.52 / 0.64
277							0.06 / 0.08	13.0 / 16.9	0.50 / 0.63
100	GPH287T5	14	11	2	34	425	0.26 / 0.36	25.7 / 36.1	0.65 / 0.77
120							0.21 / 0.30	25.3 / 35.6	0.65 / 0.78
240							0.11 / 0.15	25.8 / 35.5	0.64 / 0.78
277							0.10 / 0.14	26.2 / 35.9	0.63 / 0.77
100	GPH287T5	14	11	1	34	425	0.15 / 0.20	15.0 / 20.1	0.64 / 0.72
120							0.13 / 0.17	15.0 / 20.0	0.64 / 0.72
240							0.08 / 0.09	15.8 / 20.3	0.61 / 0.69
277							0.07 / 0.09	16.2 / 21.1	0.59 / 0.68
100	GPH357T5	17	14	2	40	425	0.29 / 0.43	29.4 / 42.7	0.65 / 0.80
120							0.25 / 0.37	30.4 / 44.8	0.55 / 0.82
240							0.13 / 0.19	30.4 / 44.3	0.55 / 0.82
277							0.12 / 0.17	30.7 / 44.5	0.54 / 0.82
100	GPH357T5	17	14	1	40	425	0.17 / 0.23	16.9 / 22.9	0.68 / 0.75
120							0.14 / 0.20	17.1 / 24.1	0.65 / 0.77
240							0.09 / 0.11	17.8 / 24.6	0.63 / 0.76
277							0.08 / 0.10	18.0 / 24.9	0.62 / 0.75
100	GPH436T5	21	17	2	51	425	0.33 / 0.53	32.5 / 53.3	0.59 / 0.81
120							0.27 / 0.43	31.9 / 51.6	0.43 / 0.83
240							0.14 / 0.22	32.2 / 50.8	0.43 / 0.84
277							0.13 / 0.19	32.6 / 51.1	0.43 / 0.84
100	GPH436T5	21	17	1	51	425	0.20 / 0.28	20.2 / 27.8	0.71 / 0.79
120							0.16 / 0.23	19.5 / 27.4	0.67 / 0.79
240							0.09 / 0.12	20.0 / 27.7	0.65 / 0.78
277							0.09 / 0.11	20.4 / 28.0	0.64 / 0.77
100	GPH793T5	38	31	1	92	425	0.33 / 0.51	32.5 / 50.6	0.72 / 0.83
120							0.26 / 0.40	30.5 / 47.3	0.65 / 0.85
240							0.13 / 0.20	30.7 / 46.8	0.65 / 0.86
277							0.12 / 0.18	31.0 / 47.0	0.64 / 0.86
100	GPH843T5	40	33	1	98	425	0.33 / 0.50	32.6 / 50.3	0.72 / 0.83
120							0.27 / 0.41	32.3 / 49.6	0.72 / 0.85
240							0.14 / 0.21	32.6 / 48.8	0.72 / 0.86
277							0.13 / 0.18	32.9 / 49.0	0.71 / 0.85
100	G36T8	36	47	1	103	425	0.30 / 0.45	30.2 / 44.6	0.73 / 0.83
120							0.25 / 0.36	29.9 / 43.5	0.74 / 0.85
240							0.13 / 0.18	30.2 / 43.2	0.73 / 0.85
277							0.12 / 0.16	30.5 / 43.4	0.72 / 0.85
100	PL-L 18W	18	9	2	58	425	0.31 / 0.47	31.1 / 47.0	0.64 / 0.80
120							0.26 / 0.39	30.8 / 47.2	0.64 / 0.82
240							0.13 / 0.20	31.0 / 46.6	0.64 / 0.83
277							0.12 / 0.17	31.3 / 46.2	0.63 / 0.82
100	PL-L 18W	18	9	1	58	425	0.19 / 0.26	18.8 / 25.8	0.70 / 0.77
120							0.16 / 0.22	18.8 / 25.8	0.70 / 0.77
240							0.09 / 0.12	19.5 / 26.3	0.67 / 0.76
277							0.08 / 0.11	19.9 / 26.6	0.66 / 0.75
100	PL-L 36W	36	16	1	106	425	0.30 / 0.46	30.0 / 46.3	0.74 / 0.83
120							0.25 / 0.38	29.8 / 45.5	0.74 / 0.84
240							0.13 / 0.19	30.2 / 45.1	0.73 / 0.85
277							0.12 / 0.17	30.5 / 45.3	0.73 / 0.85

FEATURES:

- Expanded lamp power range
- Remote Control Switching
- Remote relay driver for lamp indication
- Remote relay (5.0V, 30mA)
- 0-10V input dimming control
- Power and Lamp LED connectors (5.0V)

U.S. PATENT NUMBERS:

6,366,032 B1 ; 6,420,838 B1 ; 5,436,529

WARRANTY:

Robertson Worldwide warrants to the purchaser that this product will be free from defects in material or workmanship for a period of 5 years from date of manufacture when properly installed and under normal condition of use. Specifications subject to change without notice.

For more information on Robertson Worldwide products, visit www.RobertsonLighting.com

PSM2GPH24IV

PERFORMANCE:

- Program Start electronic ballast
- Max Current THD = ≤15%
- Power Factor = ≥0.95
- Poke-in, Easy release connectors
- Connector power & lamp LED
- 0-10V Controlled Output to 50%
- Remote On/Off Control
- Internal Surge Protection
- Encased & Potted
- End of Lamp Life Protection
- Ignition attempts before EOL shutdown – 2
- Best in class performance for EMC and EMI FCC Part 18 Class B and EN55015
- Meets ANSI Standard C62.41-1991 for transient protection
- Meets ANSI Standard C82.11-2011 for ballast requirements
- EN61000-3-2: 2014 Electromagnetic compatibility (EMC) — Part 3-2: Limits — Limits for harmonic current emissions (equipment input current ≤ 16 A per phase)
- EN61000-3-3: 2013 Electromagnetic compatibility (EMC) — Part 3-3: Limits — Limitation of voltage changes, voltage fluctuations and flicker in public low voltage supply systems, for equipment with rated current ≤ 16 A per phase and not subjected to conditional connection
- EN61547: 2009, Equipment for general lighting purposes — EMC immunity requirement

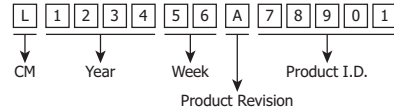
APPLICATION:

- Flexible wiring
- IP61 Rated
- Maximum case temperature 194°F/90°C
- Maximum ambient temperature 140°F/60°C
- Minimum starting temperature 0°F/-18°C
- Lamp Starts >50,000 Starts
- Remote Mounting 18 ft. Max. Lead Length, 18AWG
- 2.5 second preheat time

SAFETY/STANDARDS:

- UL/935 Listed (Class P, Type CC, Type 1 Outdoor, Type HL)
- cUL (CSA/C22.2 Certified)
- Leakage Current to UL/935 Standard
- CE Compliant
- EN 61347-1:2001
- EN 61347-2-1:2001
- EN 61347-2-3:2000
- RoHS EU Directive 2011/65/EU&2015/863 Amendment (RoHS 3)
- No PCB's
- Steel Enclosure
- Robertson Patented All*Star and IEC 61547-2-3 EOL Protection for:
 - Open filaments
 - High lamp voltage
 - Lamp rectification
 - Limited restrike attempts
 - Low input voltage

Date Code Decoder

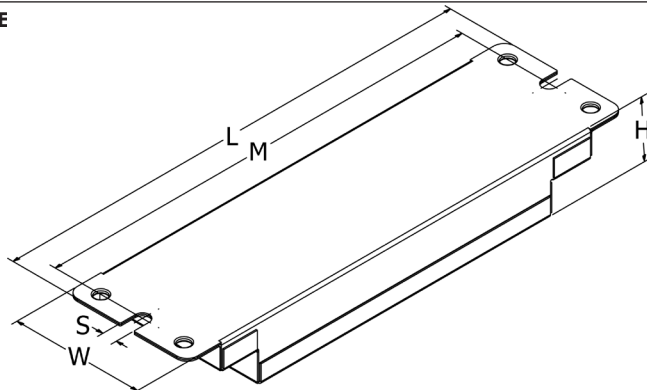


Click on image to view 3D model
(Download and Open in [Adobe Reader 7](#) or later)

3D step file



CASE



L	W	H	M	S
8 5/32	2 9/32	1 3/32	7 9/16	1/4
8.16	2.29	1.08	7.58	0.25
20.72cm	5.82cm	2.73cm	19.26cm	0.64cm

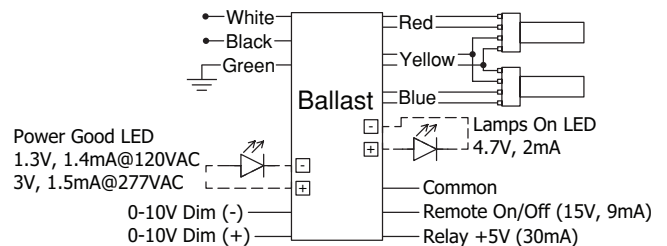
LED SPECIFICATIONS:

LED	Recommended Max. LED Rating	Output Voltage (Vdc)	Output Current (mA)	
Power	5.0V, 30mA	3.0V	1.0mA @ 120V 3.0mA @ 277V	LED Is Not Isolated
Lamp	5.0V, 30mA	5.0V	4.0mA @ 120V 4.0mA @ 277V	LED Is Isolated

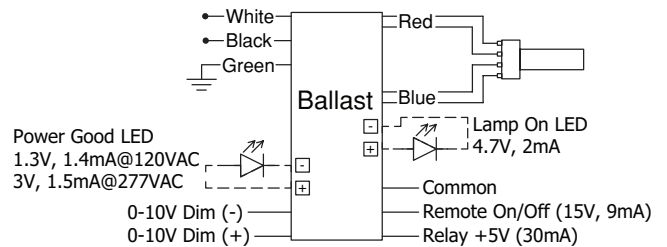
WARRANTY:

Robertson Worldwide warrants to the purchaser that this product will be free from defects in material or workmanship for a period of 5 years from date of manufacture when properly installed and under normal condition of use. Specifications subject to change without notice.
For more information on Robertson Worldwide products, visit www.RobertsonLighting.com

WIRING DIAGRAM: WD-154A



WIRING DIAGRAM: WD-154A2

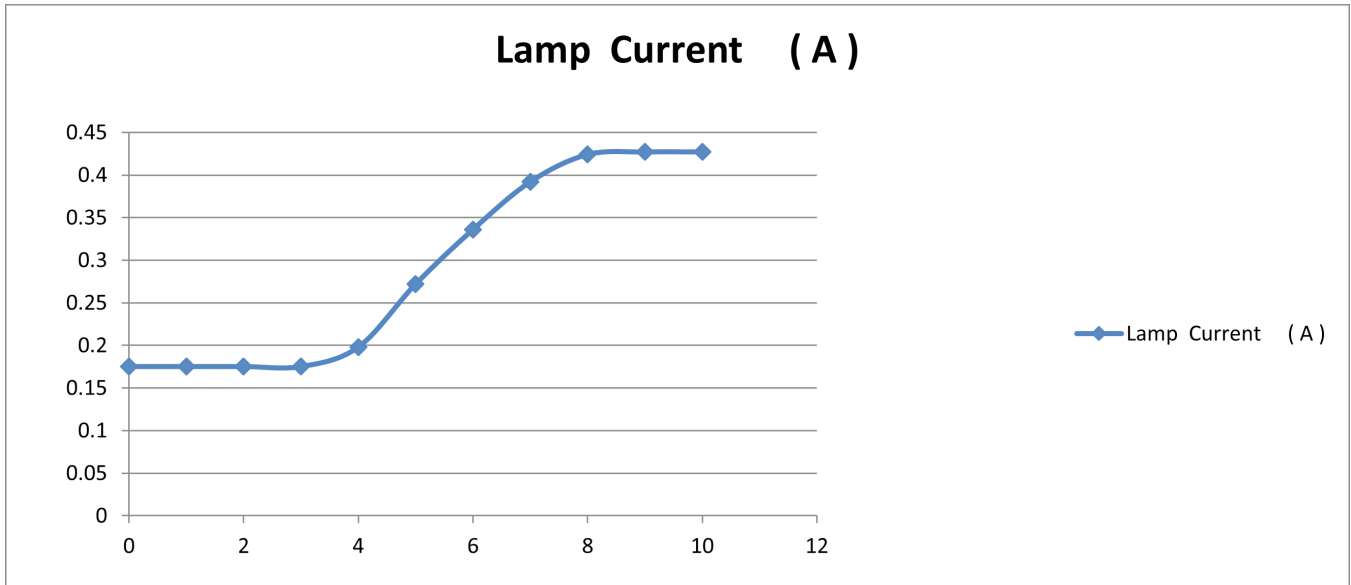


- Use 18 AWG Solid Copper Wire, Stripped to 3/8"
- For 1 Lamp Application Omit Yellow Connections
- Close Single Switch Remote On/Off to Turn Off Ballast
- 5V Relay Contacts are closed when lamp(s) On

PSM2GPH24IV

0-10V Dimming Curve		
Line Voltage (Vrms)	Dimmer Voltage (V)	Lamp Current (A)
120	10	0.427
120	9	0.427
120	8	0.424
120	7	0.392
120	6	0.336
120	5	0.272
120	4	0.198
120	3	0.175
120	2	0.175
120	1	0.175
120	0	0.175

Lamp under test: GPH436T5L (2)



WARRANTY:

Robertson Worldwide warrants to the purchaser that this product will be free from defects in material or workmanship for a period of 5 years from date of manufacture when properly installed and under normal condition of use. Specifications subject to change without notice.

For more information on Robertson Worldwide products, visit www.RobertsonLighting.com