

PSM2GPH15V12-24

Ballast Type: Electronic
Input Voltage: 12-24Vdc ±10%

Starting Method: Program Start
Lamp Connection: Series

Unit Color: Galvanneal
Unit Weight: 1.06 lbs.

ELECTRICAL SPECIFICATIONS:

Line Voltage (V)	Lamp Type	Lamp Wattage (W)	Approx. Lamp Length (in)	No. of Lamps	Arc Voltage (V)	Lamp Current (mA)	Line Current (A)	Input Power (W)	Electrical Efficiency
10.8	GPH118T5	6	5	2	21	425	1.92	20.7	0.58
12							1.72	20.6	0.59
21.6							0.88	19.0	0.62
24							0.79	19.0	0.61
10.8	GPH118T5	6	5	1	21	425	1.21	13.1	0.51
12							1.09	13.1	0.50
21.6							0.54	11.7	0.53
24							0.48	11.5	0.54
10.8	GPH212T5	10	8	2	24	425	3.06	33.0	0.64
12							2.70	32.4	0.65
21.6							1.37	29.6	0.69
24							1.22	29.3	0.70
10.8	GPH212T5	10	8	1	24	425	1.72	18.6	0.62
12							1.56	18.7	0.63
21.6							0.82	17.7	0.64
24							0.71	17.0	0.66
10.8	GPH287T5	14	11	2	34	425	3.81	41.1	0.65
12							3.40	40.8	0.66
21.6							1.64	35.4	0.72
24							1.46	35.0	0.72
10.8	GPH287T5	14	11	1	34	425	2.24	24.2	0.64
12							1.97	23.6	0.64
21.6							0.96	20.7	0.68
24							0.84	20.2	0.70
10.8	GPH357T5	17	14	1	40	425	2.53	27.3	0.66
12							2.24	26.9	0.67
21.6							1.20	25.9	0.68
24							1.07	25.7	0.69
10.8	GPH436T5	21	17	1	51	425	3.24	35.0	0.67
12							2.86	34.3	0.68
21.6							1.42	30.7	0.76
24							1.27	30.5	0.76

PERFORMANCE:

- Program Start electronic ballast
- Max Current THD = ≤15%
- Power Factor = 1.0
- Poke-in, Easy release connectors
- Connector power & lamp LED
- Internal Surge Protection
- Encased & Potted
- End of Lamp Life Protection
- Ignition attempts before EOL shutdown – 2
- Rh/Rc = 4.62 for longest lamp life
- Best in class performance for EMC and EMI FCC Part 18 Class B and EN55015
- Meets ANSI Standard C62.41-1991 for transient protection
- Meets ANSI Standard C82.11-2011 for ballast requirements
- EN61000-3-2: 2014 Electromagnetic compatibility (EMC) — Part 3-2: Limits — Limits for harmonic current emissions (equipment input current ≤ 16 A per phase)
- EN61000-3-3: 2013 Electromagnetic compatibility (EMC) — Part 3-3: Limits — Limitation of voltage changes, voltage fluctuations and flicker in public low voltage supply systems, for equipment with rated current ≤ 16 A per phase and not subjected to conditional connection
- EN61547: 2009, Equipment for general lighting purposes — EMC immunity requirement

APPLICATION:

- Flexible wiring
- IP61 Rated
- Maximum case temperature 194°F/90°C
- Maximum ambient temperature 140°F/60°C
- Minimum starting temperature 0°F/-18°C
- Lamp Starts >50,000 Starts
- Remote Mounting 18 ft. Max. Lead Length, 18AWG
- 2.5 second preheat time

SAFETY/STANDARDS:

- UL/935 Listed (Class P, Type CC, Type 1 Outdoor, Type HL)
- cUL (CSA/C22.2 Certified)
- Leakage Current to UL/935 Standard
- CE Compliant
- EN 61347-1:2001
- EN 61347-2-1:2001
- EN 61347-2-3:2000
- RoHS EU Directive 2011/65/EU&2015/863 Amendment (RoHS 3)
- No PCB's
- Steel Enclosure
- Robertson Patented All*Star and IEC 61547-2-3 EOL Protection for:
 - Open filaments
 - High lamp voltage
 - Lamp rectification
 - Limited restrike attempts
 - Low input voltage

FEATURES:

- Expanded lamp power range
- Power and Lamp LED connectors (2.5V)

U.S. PATENT NUMBERS:

6,366,032 B1 ; 6,420,838 B1; 5,436,529

WARRANTY:

Robertson Worldwide warrants to the purchaser that this product will be free from defects in material or workmanship for a period of 5 years from date of manufacture when properly installed and under normal condition of use. Specifications subject to change without notice.
For more information on Robertson Worldwide products, visit www.RobertsonLighting.com

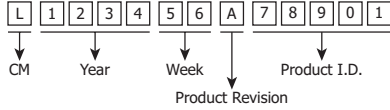
PSM2GPH15V12-24

Click on image to view 3D model
(Download and Open in [Adobe Reader 7](#) or later)

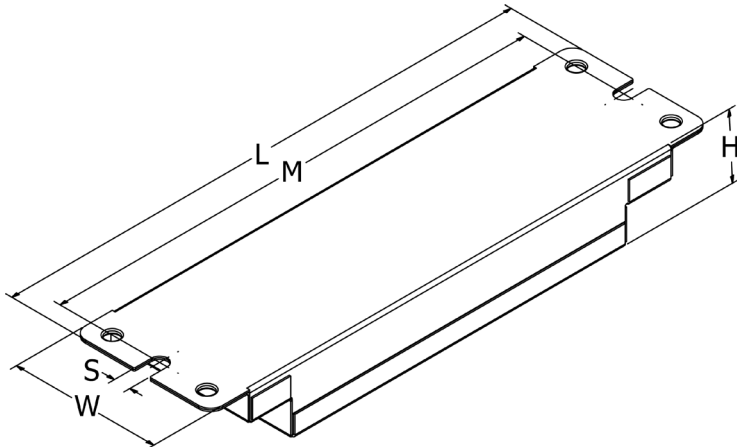
3D step file



Date Code Decoder



CASE STYLE: CS-14A

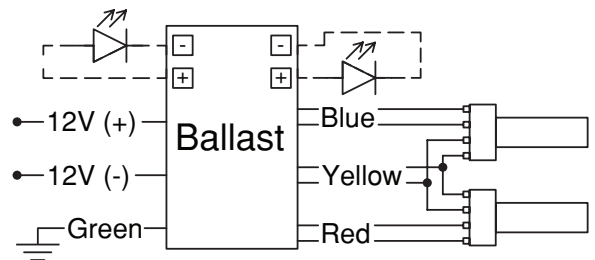


L	W	H	M	S
9 5/32	2 9/32	1 1/32	7 9/16	1/4
8.16	2.29	1.03	7.58	0.25
20.72cm	5.82cm	2.62cm	19.26cm	0.64cm

LED SPECIFICATIONS:

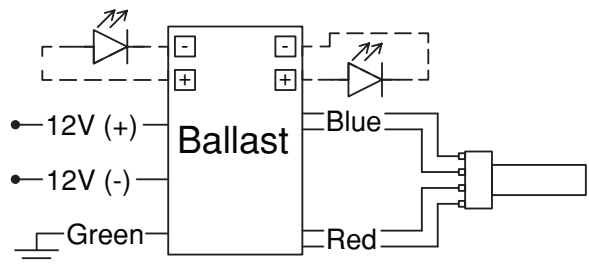
LED	Recommended Max. LED Rating	Output Voltage (Vdc)	Output Current (mA)	O.C.V. (Vdc)	
Power	2.0V, 20mA	2.0	1.0	2.5	LED Is Not Isolated
Lamp	2.0V, 20mA	2.0	2.0	4.7	LED Is Isolated

WIRING DIAGRAM: WD-153A2



Use 18 AWG Solid Copper Wire, Stripped to 3/8"

WIRING DIAGRAM: WD-152A2



For 1 Lamp Application Omit Yellow Connections

WARRANTY:

Robertson Worldwide warrants to the purchaser that this product will be free from defects in material or workmanship for a period of 5 years from date of manufacture when properly installed and under normal condition of use. Specifications subject to change without notice.

For more information on Robertson Worldwide products, visit www.RobertsonLighting.com