

PSB296T12HOMV SKU: xP20159

Ballast Type: <u>Electronic</u>	Starting Method: <u>Program Start</u>	Unit Weight: <u>2.40 lbs</u>
Input Voltage: <u>120-277VAC+5%,-10%</u>	Lamp Connection: <u>Series</u>	Unit Color: <u>Black</u>
Input Frequency: <u>47-63 Hz.</u>		

ELECTRICAL SPECIFICATION:

Line Voltage (V)	Lamp Type	Lamp Watts	No. of Lamps	Line Current (A)	Input Power (W)	Power Factor	Max Current THD (%)	Current Crest Factor	Ballast Factor	Wiring Diagram	B.E.F.
120	F96T12/HO	110	1	0.80	96	≥0.98	≤10	≤1.7	0.91	015	0.95
277				0.32	86	≥0.90	≤15	≤1.7	0.91	015	0.96
120	F96T12/HO	110	2	1.54	185	≥0.98	≤10	≤1.7	0.88	015	0.48
277				0.66	180	≥0.97	≤10	≤1.7	0.88	015	0.49
120	F96T12/HO/ES	95	1	0.74	88	≥0.98	≤10	≤1.7	0.91	015	1.03
277				0.32	86	≥0.90	≤15	≤1.7	0.91	015	1.04
120	F96T12/HO/ES	95	2	1.38	165	≥0.98	≤10	≤1.7	0.88	015	0.53
277				0.60	162	≥0.97	≤10	≤1.7	0.88	015	0.54
120	F72T12/HO	85	2	1.17	140	≥0.98	≤10	≤1.7	0.85	015	0.61
277				0.50	137	≥0.97	≤10	≤1.7	0.85	015	0.62
120	F60T12/HO	75	2	0.98	117	≥0.98	≤10	≤1.7	0.82	015	0.70
277				0.42	114	≥0.97	≤10	≤1.7	0.82	015	0.71
120	F48T12/HO	60	2	0.80	96	≥0.98	≤10	≤1.7	0.83	015	0.86
277				0.34	94	≥0.97	≤10	≤1.7	0.83	015	0.87

PERFORMANCE:

- Electronic ballast
- Program Start
- Series operation
- High power factor
- Encased & potted
- Sound rated A
- Meets FCC Part 18 (Class A) non-consumer limits
- Meets ANSI standard C82.11 for ballast requirements
- Meets ANSI standard C62.41 for transient protection

APPLICATION:

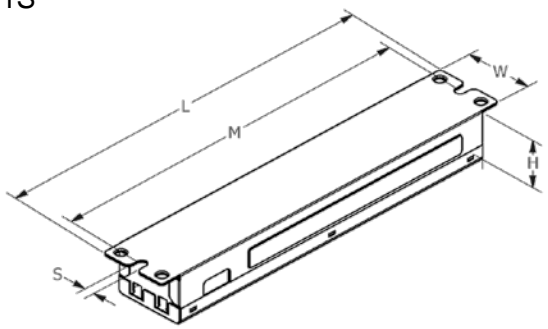
- Maximum case temperature: 194°F/90°C
- Maximum ambient temperature: 131°F/55°C
- Minimum starting temperature: -20°F/-29°C
- Minimum starting temperature for ES lamps: 60°F/16°C
- Remote mounting: 18ft.

SAFETY:

- UL/935 (Class P, Type HL, Type 1 outdoor) listed
- cUL (CSA C22.2) listed
- Inherent thermal protection

STYLE:

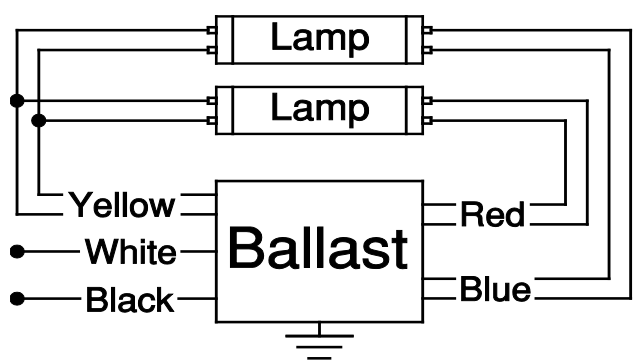
11S



	H	W	L	M	S
1	9/16	2 11/32	9 7/16	8 7/8	11/32
	1.56	2.34	9.44	8.88	0.34
	3.97cm	5.94cm	23.98cm	22.56cm	0.86cm

WIRING DIAGRAM:

15



Lead Lengths: Tolerance +2.00 -1.00, strip 0.375", Tolerance ±0.06
 Standard:

- Blk: 25"
- Red: (2) 46"
- Wht: 25"
- Blu: (2) 46"
- Blu: (2) 79"

WARRANTY:

Robertson Worldwide warrants to the purchaser that this ballast will be free from defects in material or workmanship for a period of 5 years from date of manufacture when properly installed and under normal conditions of use. For more information on Robertson Lighting products, visit www.robertsondirect.com. Specifications subject to change without notice.