

PAQ1320AMV-2100

Ballast Type: Electronic
Input Voltage: 110-240Vac ±10%
Input Frequency: 47/63Hz

Starting Method: Programmed Start
Lamp Connection: Parallel
Housing: 22ga 5052 H43 Aluminum

Weight: 3.50 lbs.
Carton Qty: 6
Skid Qty: 288

ELECTRICAL SPECIFICATIONS:

Line Voltage (V)	No. of Lamps	Lamp Type	Typical Lamp Watts (W)	Arc Voltage (V)	Arc Current (mA)	Line Current (A)	Input Power (W)	Power Factor	Max Current THD (%)	Current Crest Factor	Electrical Efficiency	Power Dissipation (W)
110	1	GPHHA1554T6L	320	149	2100	3.28	360	≥0.95	<15%	<1.70	0.88	43.20
120						2.99	358		<15%		0.88	42.96
240						1.47	347		<15%		0.91	31.23
110	1	GPHHA1000T6L	207	96	2100	2.18	240	≥0.95	<15%	<1.70	0.86	33.60
120						1.99	238		<15%		0.86	33.32
240						1.00	234		<15%		0.88	28.08
110	1	GPHHA843T6L	172	79	2100	1.80	197	≥0.95	<15%	<1.70	0.86	27.58
120						1.64	196		<15%		0.86	27.44
240						0.85	195		<15%		0.89	21.45
110	1	GPHHA357T6L	65	35	2100	0.81	89	≥0.95	<15%	<1.70	0.87	11.57
120						0.75	89		<15%		0.87	11.57
240						0.43	89		<15%		0.87	11.57
110	1	GPHA1554T6L	240	139	1800	2.60	286	≥0.95	<15%	<1.70	0.88	34.32
120						2.38	284		<15%		0.88	34.08
240						1.19	278		<15%		0.90	27.80
110	1	GPHA1000T6L	150	88	1800	1.73	190	≥0.95	<15%	<1.70	0.86	26.60
120						1.59	190		<15%		0.86	26.60
240						0.82	188		<15%		0.88	22.56
110	1	GPHA843T6L	130	76	1800	1.52	167	≥0.95	<15%	<1.70	0.85	25.05
120						1.39	166		<15%		0.86	23.24
240						0.72	164		<15%		0.87	21.32
110	1	GPHA357T6L	57	38	1800	0.77	84	≥0.95	<15%	<1.70	0.86	11.76
120						0.71	84		<15%		0.86	11.76
240						0.42	85		<15%		0.86	11.90

ELECTRICAL

- Start Time(sec): <2.5
- High Power Factor
- Ballast Shut Down at Open Load
- Internal Fuse
- Output Voltage U <280V
- End of Lamp Life Protection
- Not for Current Interrupting

EMISSIONS (Conducted and Radiated Emissions)

- EN 55011:1998 - Industrial, Scientific, and Medical (ISM) Radio-Frequency Equipment – Radio Disturbance Characteristics – Limits and Methods of Measurement
- Meets FCC Part 18-307C (Class B) for EMI and RFI Consumer Limits
- EN 61000-3-2 Limits for Harmonic Current Emissions
- EN 55015:2013/A1:2015

PHYSICAL

- Solid Single Leads
- UL1316 18AWG
- Lead Tolerance +1.00-0.50, Strip 0.375" +0.06
- FR-4 PCB Dbl Sided Plated Thru Holes
- ON/OFF Rocker Switch
- LED Lamp Indicator
- LED Power Good Indicator

IMMUNITY PROTECTIONS

- EN 61547:1995 Immunity standard for lighting equipment.
- ANSI C62.41 for Transient Immunity.
- EN 61000-4-2:2001 Electrostatic discharges (ESD) immunity.
- EN 61000-4-3:1996 Radiated electromagnetic field immunity.
- EN 61000-4-4:1995 Electrical fast transients (EFT)/Burst immunity.
- EN 61000-4-5:1995 Surge transient immunity.
- EN 61000-4-6:1996 Immunity to RF conducted disturbances.
- EN 61000-4-8:1993 Power Frequency magnetic field immunity test.
- EN 61000-4-11:1994 Voltage dips, short interruptions and voltage variations (Tables 2&3 below) in accordance with the provisions of the 89/336/EEC EMC-directive, including amd. 92/31/EEC and 93/68/EEC.
- EN 61000-6-2: 2001 (reference document EN 61000-4-5), including surges to 2.0kV between phase to neutral (differential mode) and 4.0kV between phase to earth and neutral to earth (common mode).
- EN 61000-4-11 Voltage Supply Immunity

Condition	Duration	Reaction
30% Reduction of Minimum Vin	10mSec	Luminance Reduction allowed
60% Reduction of Minimum Vin	100mSec	Luminance Reduction allowed
95% Reduction of Minimum Vin	5000mSec	Extinguish Permitted, but no driver damage
100% Reduction of Vin	3 Cycles	Luminance Reduction allowed

SAFETY & CERTIFICATIONS

- UL 935 (Class P, Type CC, Type1 Outdoor, Type HL)
- cULus, CE, CCC
- Leakage Current to UL/935 Standard
- EN 61347-1:2001
- EN 61347-2-1:2001
- EN 61347-2-3:2000
- RoHS EU Directive 2011/65/EU&2015/863 Amendment (RoHS 3)
- Anti-Arcing
- Output Short Circuit Protection
- Output Open Circuit Protection
- Restrike Attempts = 2
- Inrush Current <40 AMPS
- Meets ANSI Standard C62.41 for Transient Protection
- Meets ANSI Standard C82.11 for Ballast Requirements
- Sound Rated A

APPLICATION

- Maximum Case Temperature 194°F/90°C
- Maximum Ambient Temperature 122°F/50°C
- Minimum Starting Temperature -4°F/-20°C
- Lamp Starts >50,000 Starts
- Remote Mounting 20 ft. Max. Lead Length, 18AWG Shielded or in Conduit

LED SPECIFICATIONS:

LED	Recommended Max. LED Rating	Output Voltage (Vdc)	Output Current (mA)	O.C.V. (Vdc)	
Power	2.0V, 20mA	2.0	1.0	2.5	LED Is Not Isolated
Lamp	2.0V, 20mA	2.0	2.0	4.7	LED Is Isolated

SWITCH SPECIFICATIONS:

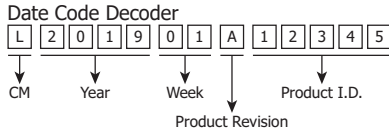
Min. Switch Rating	UL Switch Rating
5V, 0.5A	250V, 1A

WARRANTY:

Robertson Worldwide warrants to the purchaser that this product will be free from defects in material or workmanship for a period of 5 years from date of manufacture when properly installed and under normal condition of use. Specifications subject to change without notice.
For more information on Robertson Worldwide products, visit www.RobertsonLighting.com

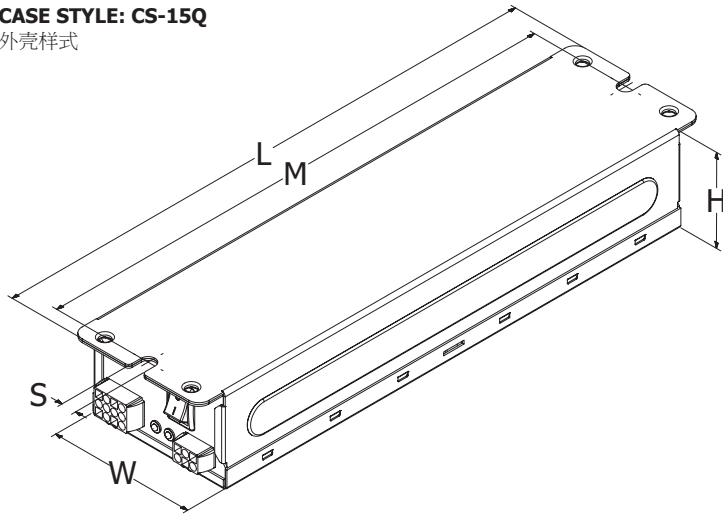
PAQ1320AMV-2100

Click on image to view 3D model
(Download and Open in Adobe Reader 7 or later)



CASE STYLE: CS-15Q

外壳样式

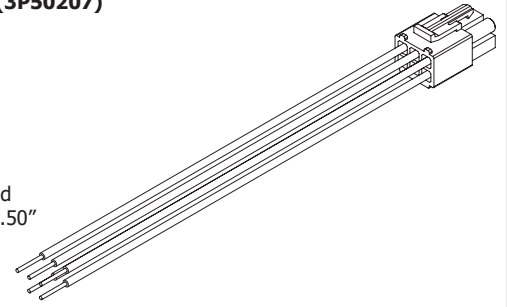


L	W	H	M	S
11-11/16	3-1/8	1-22/23	11-1/8	5/16
11.69	3.13	1.95	11.10	0.32
29.7cm	7.95cm	4.95cm	28.2cm	0.81cm

INPUT WIRE HARNESS (3P50207)

输入线束

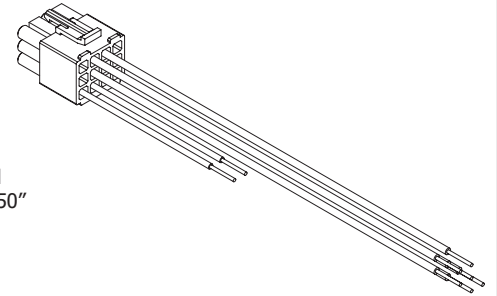
- 白 White 12"
- 黑 Black 12"
- 绿 Green 12"
- 橙 Orange 12"
- 灰 Gray 12"
- UL1316 18AWG 实芯 Solid
- 公差 Tolerance: +1.00,-0.50"
- 带 Strip: 0.375" ±0.060



OUTPUT WIRE HARNESS (3P50108)

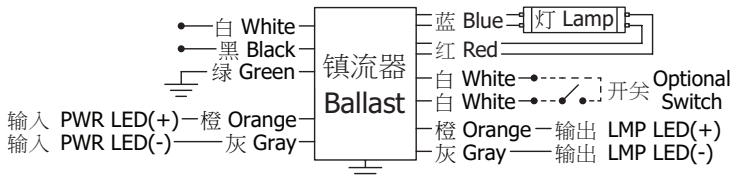
输出线束

- 红 Red (2) 12"
- 蓝 Blue (2) 12"
- 白 White (2) 2"
- 橙 Orange 12"
- 灰 Gray 12"
- UL1316 18AWG 实芯 Solid
- 公差 Tolerance: +1.00,-0.50"
- 带 Strip: 0.375" ±0.060



WIRING DIAGRAM: WD-043B

接线图



2100mA Lamps, No White Connection
1800mA Lamps, With White Connection
(Optional Switch supplied by user)

CONNECTOR WIRE LAYOUT

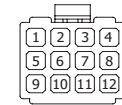
连接器线布局

输入 INPUT



1. 绿 Green (地线 Ground)
2. 黑 Black (火线 Live)
3. 橙 Orange (输入 PWR LED+)
4. NC
5. 白 White (零线 Neutral)
6. 灰 Gray (输入 PWR Led-)

输出 OUTPUT



1. NC
2. 红 Red (灯 Lamp)
3. 红 Red (灯 Lamp)
4. NC
5. NC
6. 蓝 Blue (灯 Lamp)
7. 蓝 Blue (灯 Lamp)
8. NC
9. 白 White (开关 Switch)
10. 白 White (开关 Switch)
11. 灰 Gray (输出 LMP LED1-)
12. 橙 Orange (输出 LMP LED1+)

WARRANTY:

Robertson Worldwide warrants to the purchaser that this product will be free from defects in material or workmanship for a period of 5 years from date of manufacture when properly installed and under normal condition of use. Specifications subject to change without notice.

For more information on Robertson Worldwide products, visit www.RobertsonLighting.com