

O4827P

Ballast Type: Electromagnetic
 Input Voltage: 277Vac +5%,-10%
 Input Frequency: 60Hz

Starting Method: Preheat Start
 Lamp Connection: Series

Unit Color: Raw
 Unit Weight: 0.61 lbs.

ELECTRICAL SPECIFICATIONS:

Line Voltage (V)	Lamp Type	Lamp Wattage (W)	No. of Lamps	Line Current (A)	Input Power (W)	Power Factor	Max Current THD (%)	Current Crest Factor	Ballast Factor	B.E.F.	Wiring Diagram
277	CFT9W/G23, CFQ9W/G23	9	1	0.15	11	≥0.27	≤15	≤1.7	0.85	7.73	101
277	CFT7W/G23	7	1	0.16	11	≥0.25	≤15	≤1.7	0.90	8.18	101
277	CFT5W/G23	5	1	0.18	10	≥0.22	≤15	≤1.7	1.00	10.00	101
277	F8T5*	8	1	0.14	11	≥0.50	≤15	≤1.7	1.00	9.10	001A
277	F6T5*	6	1	0.15	9	≥0.45	≤15	≤1.7	0.95	10.00	001A
277	F4T5*	4	1	0.16	8	≥0.40	≤15	≤1.7	0.95	11.88	001A

* Primary Lamp Type

PERFORMANCE:

- Electromagnetic Reactor Type Ballast
- Preheat Start
- Series Operation
- Normal Power Factor
- Normal Ballast Factor
- Clamped Core and Coil
- Sound Rated A
- Meets ANSI Standard C82.1 for Ballast Requirements

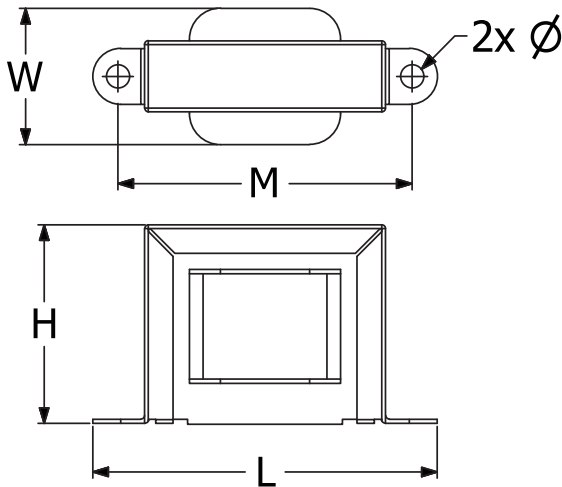
APPLICATION:

- Maximum Case Temperature 194°F/90°C
- Maximum Ambient Temperature 104°F/40°C
- Minimum Starting Temperature CFL 0°F/-18°C
- Minimum Starting Temperature Linear 50°F/10°C
- Remote Mounting 10 ft. Max. Lead Length, 18AWG

SAFETY/STANDARDS:

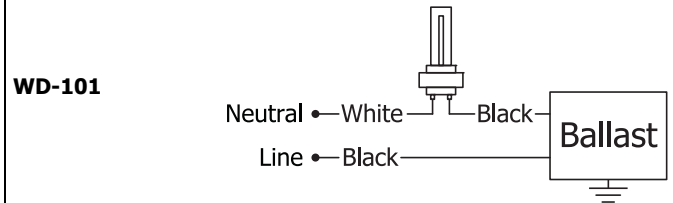
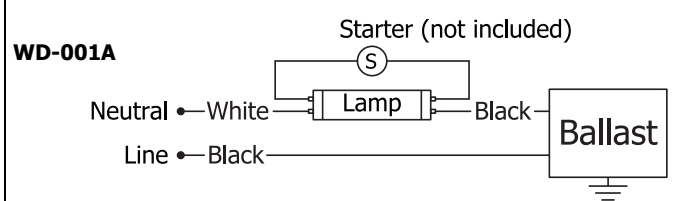
- UL/935 Listed (Class P, Type 1 Outdoor)
- RoHS Compliant
- No PCB's
- Auto Reset Thermal Protection

CASE STYLE: CS-01



L	W	H	M	∅
2-13/16	1-9/32	1-5/8	2-3/8	3/16
2.81	1.28	1.63	2.38	0.19
7.14 cm	3.18 cm	4.13 cm	6.03 cm	0.47 cm

WIRING DIAGRAM:



Ballast lead connections are interchangeable

- Black: (2) 7"
- Tolerance: +1.00, -0.50"
- Strip: 0.375" ± 0.060"

WARRANTY:

Robertson Worldwide warrants to the purchaser that this product will be free from defects in material or workmanship for a period of 2 years from date of manufacture when properly installed and under normal condition of use. Specifications subject to change without notice.

For more information on Robertson Worldwide products, visit www.RobertsonLighting.com

1748 Independence Blvd, Bldg. A, Sarasota, FL 34234, www.RobertsonLighting.com