

ISU232T8HEMV

Ballast Type: Electronic
 Input Voltage: 120-277VAC ±10%
 Input Frequency: 50-60Hz

Starting Method: Instant Start
 Lamp Connection: Parallel

Unit Color: Black
 Unit Weight: 0.85 lbs.

ELECTRICAL SPECIFICATIONS:

Line Voltage (V)	Lamp Type	Lamp Watts	No. of Lamps	Line Current (A)	Input Power (W)	Power Factor	Max Current THD (%)	Current Crest Factor	Ballast Factor	B.E.F.	Wiring Diagram
120	F32T8*	32	2	0.46	56	≥ 0.98	≤ 10	≤ 1.7	0.89	1.59	045A
277				0.20	55	≥ 0.97	≤ 10	≤ 1.7	0.89	1.60	045A
120	F32T8	32	1	0.29	35	≥ 0.98	≤ 10	≤ 1.7	1.08	3.09	045A
277				0.13	34	≥ 0.97	≤ 15	≤ 1.7	1.08	3.18	045A
120	F32T8/ES/30	30	2	0.44	51	≥ 0.98	≤ 10	≤ 1.7	0.89	1.75	045A
277				0.19	51	≥ 0.97	≤ 15	≤ 1.7	0.89	1.75	045A
120	F32T8/ES/30	30	1	0.27	31	≥ 0.98	≤ 10	≤ 1.7	1.08	3.48	045A
277				0.12	30	≥ 0.97	≤ 15	≤ 1.7	1.08	3.60	045A
120	F32T8/ES/28	28	2	0.41	49	≥ 0.98	≤ 10	≤ 1.7	0.89	1.82	045A
277				0.18	47	≥ 0.97	≤ 15	≤ 1.7	0.89	1.89	045A
120	F32T8/ES/28	28	1	0.25	30	≥ 0.98	≤ 10	≤ 1.7	1.08	3.60	045A
277				0.11	29	≥ 0.97	≤ 15	≤ 1.7	1.08	3.72	045A
120	F32T8/ES/25	25	2	0.39	46	≥ 0.98	≤ 10	≤ 1.7	0.89	1.93	045A
277				0.17	45	≥ 0.97	≤ 15	≤ 1.7	0.89	1.98	045A
120	F32T8/ES/25	25	1	0.24	29	≥ 0.98	≤ 10	≤ 1.7	1.08	3.72	045A
277				0.11	29	≥ 0.97	≤ 15	≤ 1.7	1.08	3.72	045A
120	F25T8	25	2	0.36	42	≥ 0.98	≤ 10	≤ 1.7	0.89	2.12	045A
277				0.16	41	≥ 0.97	≤ 15	≤ 1.7	0.89	2.17	045A
120	F25T8	25	1	0.23	26	≥ 0.98	≤ 10	≤ 1.7	1.08	4.15	045A
277				0.10	26	≥ 0.96	≤ 15	≤ 1.7	1.08	4.15	045A
120	F17T8	17	2	0.25	28	≥ 0.98	≤ 10	≤ 1.7	0.91	3.25	045A
277				0.11	28	≥ 0.97	≤ 15	≤ 1.7	0.91	3.25	045A
120	F17T8	17	1	0.16	21	≥ 0.98	≤ 10	≤ 1.7	1.10	5.24	045A
277				0.09	21	≥ 0.95	≤ 15	≤ 1.7	1.70	1.10	045A
120	F40T8	40	1	0.35	44	≥ 0.98	≤ 10	≤ 1.7	1.00	2.27	045A
277				0.16	43	≥ 0.97	≤ 15	≤ 1.7	1.00	2.33	045A

* Primary Lamp Type

PERFORMANCE:

- High Efficiency Electronic Ballast
- Instant Start
- Parallel Operation
- High Power Factor
- Normal Ballast Factor
- Encased & Potted
- Sound Rated A
- Meets FCC Part 18 Consumer Limits (120V)
- Meets FCC Part 18 Non-Consumer Limits (277V)
- Meets ANSI Standard C62.41 for Transient Protection
- Meets ANSI Standard C82.11 for Ballast Requirements

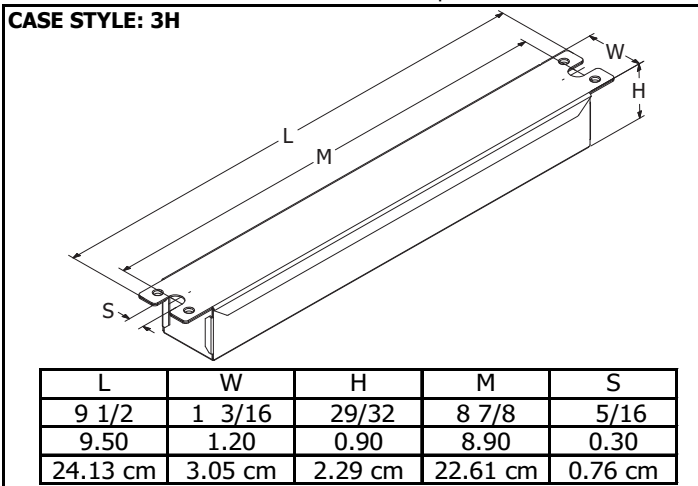
APPLICATION:

- Maximum Case Temperature: 194°F/90°C
- Maximum Ambient Temperature: 131°F/55°C
- Minimum Starting Temperature Std Lamps: 0°F/-18°C
- Minimum Starting Temperature ES Lamps: 60°F/16°C
- Lamp Starts: > 15,000 Starts
- Remote Mounting: 18 ft. Max. Lead Length, 18AWG

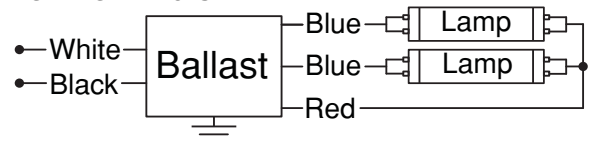
SAFETY/STANDARDS:

- UL/935 (Class P, Type 1 Outdoor)
- CSA Certified (cUL)
- No PCB's
- Inherent Thermal Protection
- RoHS Compliant

CASE STYLE: 3H



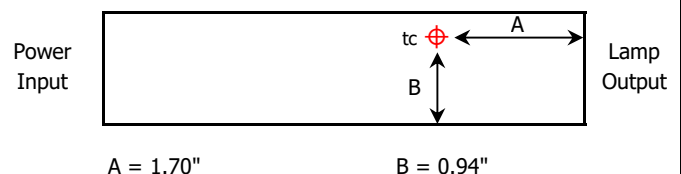
WIRING DIAGRAM: 045A



For 1 Lamp Application Cap Any Unused Blue Lead, Insulate to 600 Volts

- Black: 25"
 - White: 25"
 - Red: 46"
 - Blue: (2) 31"
- Tolerance: +2.00, -1.00
 • Strip: 0.375 ± 0.060

HOT SPOT LOCATION: (Top Label Side of Ballast)



WARRANTY:

Robertson Worldwide warrants to the purchaser that this product will be free from defects in material or workmanship for a period of 5 years from date of manufacture when properly installed and under normal condition of use. Specifications subject to change without notice.

For more information on Robertson Worldwide products, visit www.RobertsonLighting.com