

ISP2GPH75HOHV

Ballast Type: Electronic
 Input Voltage: 220-277Vac ±10%
 Input Frequency: 47-63Hz

Starting Method: Instant Start
 Lamp Connection: Series

Unit Color: White
 Unit Weight: 1.19 lbs.

ELECTRICAL SPECIFICATIONS:

Line Voltage (V)	Lamp Type	Lamp Wattage (W)	Approx. Lamp Length (in)	No. of Lamps	Arc Voltage (V)	Lamp Current (mA)	Line Current (A)	Input Power (W)	Electrical Efficiency
198	GHO436T5L	36	17	2	45	800	0.45	87.6	0.82
220							0.41	87.6	0.82
277							0.33	88.2	0.82
305							0.31	88.3	0.82
198	GHO436T5L	36	17	1	45	800	0.23	42.6	0.86
220							0.21	42.8	0.86
277							0.18	43.5	0.84
305							0.18	44.0	0.83
198	GHO893T5L	85	35	1	106	800	0.43	84.1	0.91
220							0.39	83.0	0.92
277							0.32	84.4	0.90
305							0.30	84.8	0.91
198	PLL95W 2G11	95	21	1	100	950	0.50	98.9	0.93
220							0.46	99.0	0.93
277							0.37	99.0	0.92
305							0.34	99.9	0.92
198	GHO64T5L	155	61	1	220	800	0.77	153.5	0.92
220							0.70	153.0	0.93
277							0.56	152.6	0.93
305							0.51	152.4	0.93

PERFORMANCE:

- Program Start electronic ballast
- Max Current THD = ≤15%
- Power Factor = ≥0.95
- Poke-in, Easy release connectors
- Connector power & lamp LED
- Internal Surge Protection
- Encased & Potted
- End of Lamp Life Protection
- Ignition attempts before EOL shutdown – 2
- Rh/Rc = 4.97 for longest lamp life
- Best in class performance for EMC and EMI FCC Part 18 Class B and EN55015
- Meets ANSI Standard C62.41-1991 for transient protection
- Meets ANSI Standard C82.11-2011 for ballast requirements
- EN61000-3-2: 2014 Electromagnetic compatibility (EMC) — Part 3-2: Limits — Limits for harmonic current emissions (equipment input current ≤ 16 A per phase)
- EN61000-3-3: 2013 Electromagnetic compatibility (EMC) — Part 3-3: Limits — Limitation of voltage changes, voltage fluctuations and flicker in public low voltage supply systems, for equipment with rated current ≤ 16 A per phase and not subjected to conditional connection
- EN61547: 2009, Equipment for general lighting purposes — EMC immunity requirement

APPLICATION:

- Flexible wiring
- IP61 Rated
- Maximum case temperature 194°F/90°C
- Maximum ambient temperature 140°F/60°C
- Minimum starting temperature 0°F/-18°C
- Lamp Starts >50,000 Starts
- Remote Mounting 18 ft. Max. Lead Length, 18AWG
- 2.5 second preheat time

SAFETY/STANDARDS:

- UL/935 Listed (Class P, Type CC, Type 1 Outdoor, Type HL)
- cUL (CSA/C22.2 Certified)
- Leakage Current to UL/935 Standard
- CE Compliant
- EN 61347-1:2001
- EN 61347-2-1:2001
- EN 61347-2-3:2000
- RoHS EU Directive 2011/65/EU&2015/863 Amendment (RoHS 3)
- No PCB's
- Steel Enclosure
- Robertson Patented All*Star and IEC 61547-2-3 EOL Protection for:
 - Open filaments
 - High lamp voltage
 - Lamp rectification
 - Limited restrike attempts
 - Low input voltage

WARRANTY:

Robertson UV Ballast warrants to the purchaser that this product will be free from defects in material or workmanship for a period of 5 years from date of manufacture when properly installed and under normal condition of use. Specifications subject to change without notice.
 For more information on Robertson UV Ballast products, visit www.RobertsonUVBallast.com

ISP2GPH75HOHV

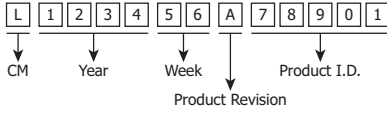
FEATURES:

- Expanded lamp power range
- Power and Lamp LED connectors (5.0V)

U.S. PATENT NUMBERS:

6,366,032 B1 ; 6,420,838 B1; 5,436,529

Date Code Decoder

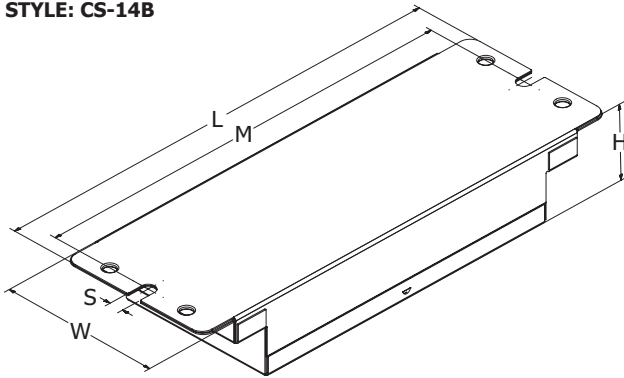


Click on image to view 3D model
(Download and Open in [Adobe Reader 7](#) or later)

3D step file



CASE STYLE: CS-14B

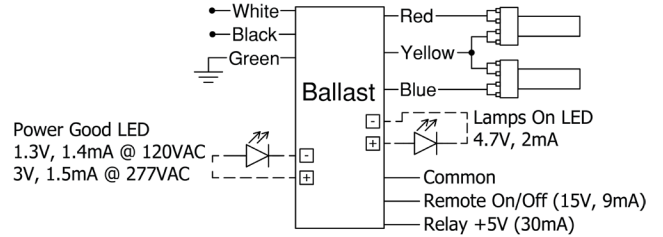


L	W	H	M	S
8 5/32	2 25/32	1 3/8	7 9/16	1/4
8.16	2.80	1.39	7.58	0.25
20.72cm	7.10cm	3.52cm	19.26cm	0.64cm

LED SPECIFICATIONS:

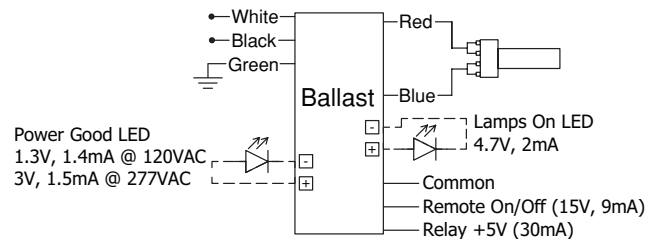
LED	Recommended Max. LED Rating	Output Voltage (Vdc)	Output Current (mA)	
Power	5.0V, 30mA	3.0V	1mA @ 120V 2mA @ 277V	LED Is Not Isolated
Lamp	5.0V, 30mA	4.0V	2mA @ 120V 2mA @ 277V	LED Is Isolated

WIRING DIAGRAM: WD-154C



Use 18 AWG Solid Copper Wire, Stripped to 3/8"

WIRING DIAGRAM: WD-154C2



For 1 Lamp Application Omit Yellow Connection

WARRANTY:

Robertson UV Ballast warrants to the purchaser that this product will be free from defects in material or workmanship for a period of 5 years from date of manufacture when properly installed and under normal condition of use. Specifications subject to change without notice.

For more information on Robertson UV Ballast products, visit www.RobertsonUVBallast.com