

ISL432T8HEMV

Ballast Type: Electronic
 Input Voltage: 120-277VAC ±10%
 Input Frequency: 50-60Hz

Starting Method: Instant Start
 Lamp Connection: Parallel

Unit Color: Black
 Unit Weight: 1.4 lbs.

ELECTRICAL SPECIFICATIONS:

Line Voltage (V)	Lamp Type	Lamp Watts	No. of Lamps	Line Current (A)	Input Power (W)	Power Factor	Max Current THD (%)	Current Crest Factor	Ballast Factor	B.E.F.	Wiring Diagram
120	F32T8*	32	4	0.92	109	≥ 0.99	≤ 10	≤ 1.7	0.88	0.81	047D
277	F32T8U			0.39	106	≥ 0.98				0.83	
120	F32T8	32	3	0.76	91	≥ 0.99	≤ 10	≤ 1.7	0.98	1.08	047D
277	F32T8U			0.33	89	≥ 0.98				1.10	
120	F32T8/ES/30	30	4	0.87	104	≥ 0.99	≤ 10	≤ 1.7	0.88	0.85	047D
277	F32T8/ES/30			0.37	102	≥ 0.98				0.86	
120	F32T8/ES/30	30	3	0.72	86	≥ 0.99	≤ 10	≤ 1.7	0.98	1.14	047D
277	F32T8/ES/30			0.31	85	≥ 0.98				1.15	
120	F32T8/ES/28	28	4	0.83	100	≥ 0.99	≤ 10	≤ 1.7	0.88	0.88	047D
277	F32T8/ES/28			0.35	98	≥ 0.98				0.90	
120	F32T8/ES/28	28	3	0.68	82	≥ 0.99	≤ 10	≤ 1.7	0.98	1.20	047D
277	F32T8/ES/28			0.30	81	≥ 0.98				1.21	
120	F32T8/ES/25	25	4	0.75	90	≥ 0.99	≤ 10	≤ 1.7	0.88	0.98	047D
277	F32T8/ES/25			0.33	89	≥ 0.98				0.99	
120	F32T8/ES/25	25	3	0.63	76	≥ 0.99	≤ 10	≤ 1.7	0.98	1.29	047D
277	F32T8/ES/25			0.27	75	≥ 0.97				1.31	
120	F28T8	28	4	0.83	100	≥ 0.99	≤ 10	≤ 1.7	0.88	0.88	047D
277	F28T8			0.35	98	≥ 0.98				0.90	
120	F28T8	28	3	0.68	82	≥ 0.99	≤ 10	≤ 1.7	0.98	1.20	047D
277	F28T8			0.30	81	≥ 0.98				1.21	
120	F25T8	25	4	0.72	84	≥ 0.99	≤ 10	≤ 1.7	0.89	1.06	047D
277	F25T8			0.31	83	≥ 0.98				1.07	
120	F25T8	25	3	0.62	74	≥ 0.99	≤ 10	≤ 1.7	1.01	1.36	047D
277	F25T8			0.26	73	≥ 0.97				1.38	
120	F17T8	17	4	0.49	59	≥ 0.99	≤ 10	≤ 1.7	0.92	1.56	047D
277	F17T8			0.22	58	≥ 0.96				1.59	
120	F17T8	17	3	0.44	53	≥ 0.99	≤ 10	≤ 1.7	1.04	1.96	047D
277	F17T8			0.19	53	≥ 0.96	≤ 12			1.96	
120	F40T8	40	3	0.91	108	≥ 0.99	≤ 10	≤ 1.7	0.94	0.87	047D
277	F40T8			0.39	106	≥ 0.98				0.89	

* Primary Lamp Type

PERFORMANCE:

- High Efficiency Electronic Ballast
- Instant Start
- Parallel Operation
- High Power Factor
- Normal Ballast Factor
- Anti-Striation
- Encased & Potted
- Sound Rated A
- Internal Surge Protection
- Meets FCC Part 18 (Class A) for EMI & RFI Non-Consumer Limits
- Meets ANSI Standard C62.41 for Transient Protection

APPLICATION:

- Maximum Case Temperature: 167°F/75°C
- Maximum Ambient Temperature: 104°F/40°C
- Minimum Starting Temperature Std. Lamps: 0°F/-18°C
- Minimum Starting Temperature ES Lamps: 60°F/16°C
- Minimum Starting Temperature F40T8: 32°F/0°C
- Lamp Starts: > 15,000 Starts
- Remote Mounting: 18 ft. Max. Lead Length, 18AWG

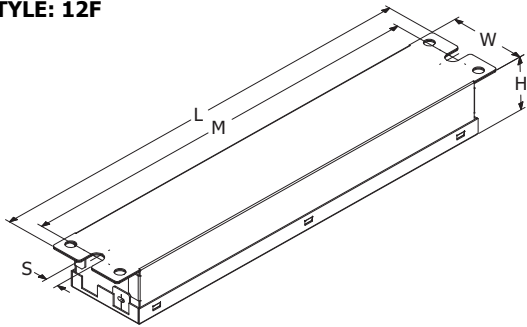
SAFETY/STANDARDS:

- UL/935 Listed (Class P, Type 1 Outdoor)
- CSA/C22.2 Certified (cUL)
- No PCB's, Type HL
- Inherent Thermal Protection
- RoHS Compliant

SKU INFORMATION:

- 3P20160 (Version 2 - Leads Out Both Ends)

CASE STYLE: 12F

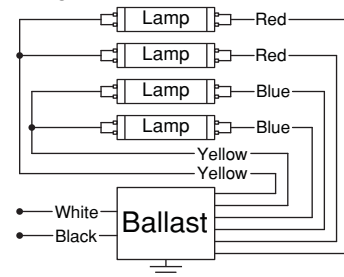


L	W	H	M	S
9 1/2	1 23/32	1 3/16	8 15/16	9/32
9.50	1.71	1.19	8.94	0.28
24.13 cm	4.34 cm	3.02 cm	22.71 cm	0.71 cm

WARRANTY:

Robertson Worldwide warrants to the purchaser that this ballast will be free from defects in material or workmanship for a period of 5 years from date of manufacture when properly installed and under normal condition of use. For more information on Robertson Worldwide ballasts, visit www.robertsonlighting.com Specifications subject to change without notice.

WIRING DIAGRAM: 047D



For 3 Lamp Application Cap Any Unused Blue or Red Lead, Insulate to 600 Volts

- Black: 25"
- White: 25"
- Red: (2) 31"
- Blue: (2) 31"
- Yellow: (2) 46"
- Strip: 0.375" ± 0.060

Tolerance: +2.00, -1.00"