

ISL296T12MV

Ballast Type: Electronic
 Input Voltage: 120-277VAC ±10%
 Input Frequency: 50-60Hz

Starting Method: Instant Start
 Lamp Connection: Parallel

Unit Color: Black
 Unit Weight: 1.51 lbs.

ELECTRICAL SPECIFICATIONS:

Line Voltage (V)	Lamp Type	Lamp Watts	No. of Lamps	Line Current (A)	Input Power (W)	Power Factor	Max Current THD (%)	Current Crest Factor	Ballast Factor	B.E.F.	Wiring Diagram
120	F96T12*	75	2	1.17	137	≥ 0.98	≤ 10	≤ 1.7	0.90	0.66	045G
277				0.50	135	≥ 0.98	≤ 10	≤ 1.7	0.90	0.67	045G
120	F96T12	75	1	0.70	84	≥ 0.98	≤ 10	≤ 1.7	0.95	1.13	045G
277				0.31	83	≥ 0.95	≤ 10	≤ 1.7	0.95	1.14	045G
120	F96T12/ES	60	2	0.88	105	≥ 0.98	≤ 10	≤ 1.7	0.89	0.85	045G
277				0.38	103	≥ 0.98	≤ 10	≤ 1.7	0.89	0.86	045G
120	F96T12/ES	60	1	0.53	63	≥ 0.98	≤ 10	≤ 1.7	0.93	1.47	045G
277				0.24	63	≥ 0.95	≤ 10	≤ 1.7	0.93	1.47	045G
120	F72T12	55	2	0.91	108	≥ 0.98	≤ 10	≤ 1.7	0.92	0.85	045G
277				0.40	107	≥ 0.98	≤ 10	≤ 1.7	0.92	0.86	045G
120	F72T12	55	1	0.55	64	≥ 0.98	≤ 10	≤ 1.7	0.96	1.50	045G
277				0.25	64	≥ 0.95	≤ 10	≤ 1.7	0.96	1.50	045G
120	F48T12	39	2	0.61	73	≥ 0.98	≤ 10	≤ 1.7	0.96	1.32	045G
277				0.27	72	≥ 0.96	≤ 10	≤ 1.7	0.96	1.33	045G
120	F48T12	39	1	0.39	47	≥ 0.98	≤ 10	≤ 1.7	1.10	2.34	045G
277				0.18	46	≥ 0.92	≤ 10	≤ 1.7	1.10	2.39	045G

* Primary Lamp Type

PERFORMANCE:

- Electronic Ballast
- Instant Start
- Parallel Operation
- High Power Factor
- Normal Ballast Factor
- Encased & Potted
- Sound Rated A
- Internal Surge Protection
- Meets ANSI Standard C62.41 for Transient Protection
- Meets ANSI Standard C82.11 for Ballast Requirements
- Meets FCC Part 18 (Class A) for EMI and RFI Non-Consumer Limits

APPLICATION:

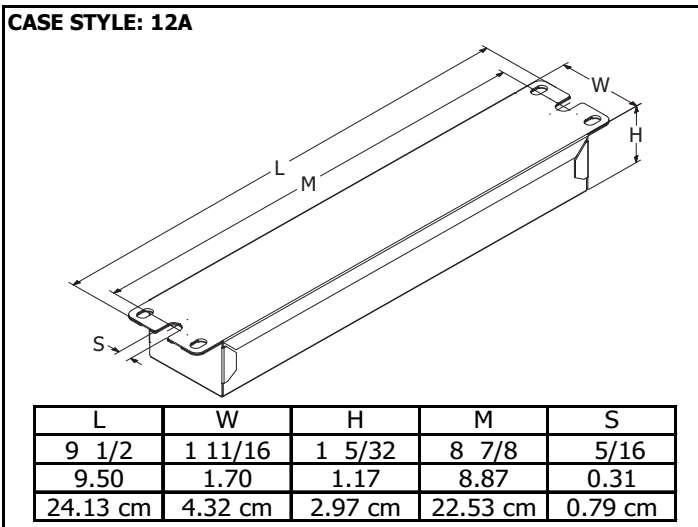
- Maximum Case Temperature: 167°F/75°C
- Maximum Ambient Temperature: 104°F/40°C
- Minimum Starting Temperature Std Lamps: 0°F/-18°C
- Minimum Starting Temperature ES Lamps: 60°F/16°C
- Lamp Starts: > 15,000 Starts
- Remote Mounting: 18 ft. Max. Lead Length, 18AWG

SAFETY/STANDARDS:

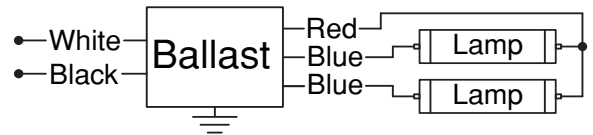
- UL/935 (Class P, Type 1 Outdoor)
- CSA Certified (cUL)
- No PCB's, Type HL
- Inherent Thermal Protection
- RoHS Compliant

NOTE: When Replacing Magnetic Instant Start Ballast
 See Technical Notes Document: WD-900

CASE STYLE: 12A



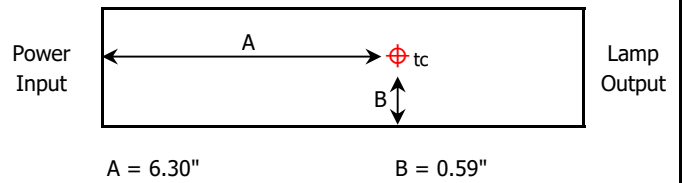
WIRING DIAGRAM: 045G



For 1 Lamp Application Cap Any Unused Blue Lead,
 Insulate to 600 Volts

- Black: 25"
 - White: 25"
 - Red: 79"
 - Blue: (2) 46"
- Tolerance: +2.00, -1.00
 • Strip: 0.375 ± 0.060

HOT SPOT LOCATION: (Top Label Side of Ballast)



WARRANTY:

Robertson Worldwide warrants to the purchaser that this product will be free from defects in material or workmanship for a period of 5 years from date of manufacture when properly installed and under normal condition of use. Specifications subject to change without notice.

For more information on Robertson Worldwide products, visit www.RobertsonLighting.com