

### ISA332T8HEMV

Ballast Type: Electronic  
Input Voltage: 120-277Vac ±10%  
Input Frequency: 50-60Hz

Starting Method: Instant Start  
Lamp Connection: Parallel

Unit Color: Black  
Unit Weight: 1.1 lbs.

#### ELECTRICAL SPECIFICATIONS:

Line Voltage (V)	Lamp Type	Lamp Wattage (W)	No. of Lamps	Line Current (A)	Input Power (W)	Power Factor	Max Current THD (%)	Current Crest Factor	Ballast Factor	B.E.F.	Wiring Diagram
120	F32T8*, F32T8U	23	3	0.71	85	≥0.99	≤10	≤1.7	0.92	1.08	046F
277				0.31	86					1.07	
120	F32T8/ES/30	30	3	0.66	79	≥0.99	≤10	≤1.7	0.86	1.09	046F
277				0.29					0.87	1.10	
120	F32T8/ES/28	28	3	0.61	72	≥0.99	≤10	≤1.6	0.87	1.21	046F
277				0.27	73	≥0.98				1.19	
120	F32T8/ES/25	28	3	0.54	66	≥0.99	≤10	≤1.6	0.88	1.33	046F
277				0.25	67	≥0.98			0.89		
120	F28T8, F28T8U	28	3	0.61	72	≥0.99	≤10	≤1.6	0.87	1.21	046F
277				0.27	73	≥0.98				1.19	
120	F25T8, F25T8U	25	3	0.55	66	≥0.99	≤10	≤1.6	0.94	1.42	046F
277				0.24	67	≥0.98			0.95		
120	F17T8, F17T8U	17	3	0.39	46	≥0.99	≤10	≤1.6	0.98	2.13	046F
277				0.18	47	≥0.97			0.99	2.11	
120	F40T8	40	2	0.65	77	≥0.99	≤10	≤1.6	0.99	1.29	046F2
277				0.29	78	≥0.98			1.00	1.28	
120	F32T8, F32T8U	32	2	0.53	64	≥0.99	≤10	≤1.6	1.01	1.58	046F2
277				0.24	65	≥0.98			1.02	1.57	
120	F32T8/ES/30	30	2	0.49	59	≥0.99	≤10	≤1.6	0.93	1.58	046F2
277				0.22	60	≥0.98			0.94	1.57	
120	F32T8/ES/28	28	2	0.46	55	≥0.99	≤10	≤1.6	0.95	1.73	046F2
277				0.20	54	≥0.97			0.94	1.74	
120	F32T8/ES/25	25	2	0.42	50	≥0.99	≤10	≤1.6	0.96	1.92	046F2
277				0.19		≥0.97			0.97	1.94	
120	F28T8, F28T8U	28	2	0.46	55	≥0.99	≤10	≤1.6	0.95	1.73	046F2
277				0.20	54	≥0.97			0.94	1.74	
120	F25T8, F25T8U	25	2	0.43	66	≥0.99	≤10	≤1.6	1.05	1.59	046F2
277				0.19	67	≥0.97			1.06	1.58	

\* Primary Lamp Type

#### PERFORMANCE:

- High Efficiency Electronic Ballast
- High Power Factor
- Normal Ballast Factor
- Encased & Potted
- Sound Rated A
- Internal Surge Protection
- Meets FCC Part 18 (Class B) for EMI and RFI Non-Consumer Limits
- Meets ANSI Standard C62.41 for Transient Protection
- Meets ANSI Standard C82.11 for Ballast Requirements

#### APPLICATION:

- Maximum Case Temperature 167°F/75°C
- Maximum Ambient Temperature 104°F/40°C
- Minimum Starting Temperature Std. Lamps 0°F/-18°C
- Minimum Starting Temperature ES Lamps 60°F/16°C
- Lamp Starts >15,000 Starts
- Remote Mounting 18 ft. Max. Lead Length, 18AWG

#### SAFETY/STANDARDS:

- UL/cUL 935 Listed (Class P, Type 1 Outdoor)
- CSA/C22.2 Certified
- RoHS Compliant
- No PCB's, Type HL
- Inherent Thermal Protection

#### WARRANTY:

Robertson Worldwide warrants to the purchaser that this product will be free from defects in material or workmanship for a period of 5 years from date of manufacture when properly installed and under normal condition of use. Specifications subject to change without notice.

For more information on Robertson Worldwide products, visit [www.RobertsonLighting.com](http://www.RobertsonLighting.com)

1748 Independence Blvd, Bldg. A, Sarasota, FL 34234, [www.RobertsonLighting.com](http://www.RobertsonLighting.com)

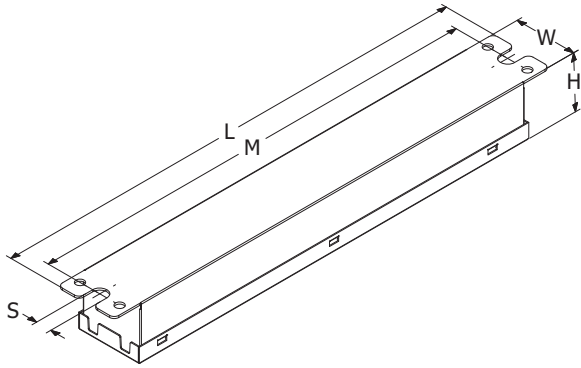
### ISA332T8HEMV

Ballast Type: Electronic  
 Input Voltage: 120-277Vac ±10%  
 Input Frequency: 50-60Hz

Starting Method: Instant Start  
 Lamp Connection: Parallel

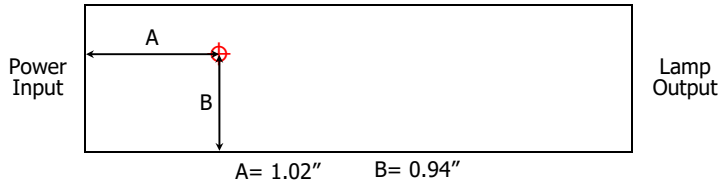
Unit Color: Black  
 Unit Weight: 1.1 lbs.

#### CASE STYLE: CS-12E

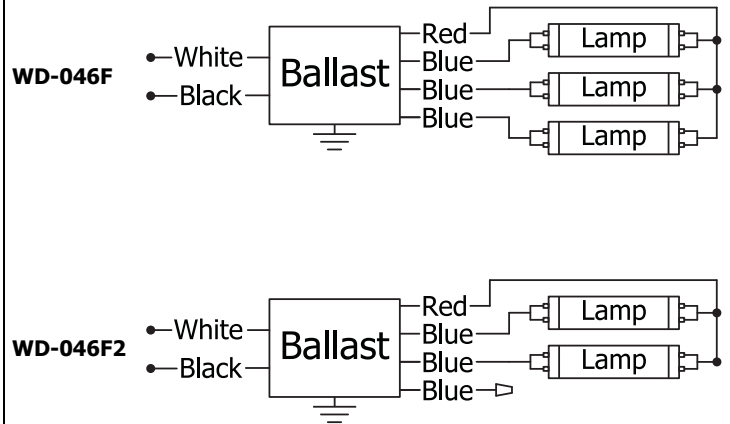


L	W	H	M	S
9-1/2	1-3/8	1-1/8	8-7/8	5/16
9.50	1.38	1.13	8.88	0.31
24.13cm	3.51cm	2.87cm	22.56cm	0.79cm

#### HOT SPOT LOCATION: (Top Label Side of Ballast)



#### WIRING DIAGRAM:



For 2 Lamp Application Cap Any Unused Blue Lead, Insulate to 600 Volts

- Black: 25"
- White: 25"
- Tolerance: +2.00, -1.00"
- Strip: 0.375" ± 0.060"
- Red: 46"
- Blue: (3) 31"
- Tolerance: +2.00, -1.00"
- Strip: 0.375" ± 0.060"

#### WARRANTY:

Robertson Worldwide warrants to the purchaser that this product will be free from defects in material or workmanship for a period of 5 years from date of manufacture when properly installed and under normal condition of use. Specifications subject to change without notice.

For more information on Robertson Worldwide products, visit [www.RobertsonLighting.com](http://www.RobertsonLighting.com)

1748 Independence Blvd, Bldg. A, Sarasota, FL 34234, [www.RobertsonLighting.com](http://www.RobertsonLighting.com)