

IEA432T8120N

Ballast Type: Electronic
 Input Voltage: 120Vac ±10%
 Input Frequency: 60Hz

Starting Method: Instant Start
 Lamp Connection: Parallel

Unit Color: Black
 Unit Weight: 1.3 lbs.

ELECTRICAL SPECIFICATIONS:

Line Voltage (V)	Lamp Type	Lamp Wattage (W)	No. of Lamps	Line Current (A)	Input Power (W)	Power Factor	Max Current THD (%)	Current Crest Factor	Ballast Factor	B.E.F.	Wiring Diagram
120	F40T8	40	3	1.62	101	≥0.50	≤165	≤1.7	0.87	0.86	047C
120	F32T8*	32	4	1.62	103	≥0.50	≤165	≤1.7	0.82	0.80	047C
			3	1.35	86		≤170		0.90	1.04	
120	F25T8	25	4	1.25	86	≥0.50	≤170	≤1.7	0.86	1.00	047C
			3	1.12	77		≤175		1.00	1.31	
120	F17T8	17	4	0.97	67	≥0.50	≤175	≤1.7	0.95	1.42	047C

* Primary Lamp Type

PERFORMANCE:

- Parallel Operation
- Normal Power Factor
- Normal Ballast Factor
- Encased & Potted
- Sound Rated A
- Meets FCC Part 18 (Class B) for EMI and RFI Consumer Limits
- Meets ANSI Standard C62.41 for Transient Protection
- Meets ANSI Standard C82.11 for Ballast Requirements

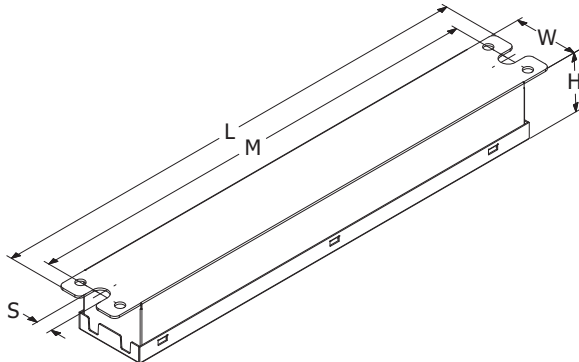
APPLICATION:

- Maximum Case Temperature 167°F/75°C
- Maximum Ambient Temperature 105°F/40°C
- Minimum Starting Temperature 0°F/-18°C
- Minimum Starting Temperature F40T8 32°F/0°C
- Lamp Starts > 15,000 Starts
- Remote Mounting 18 ft. Max. Lead Length, 18AWG

SAFETY/STANDARDS:

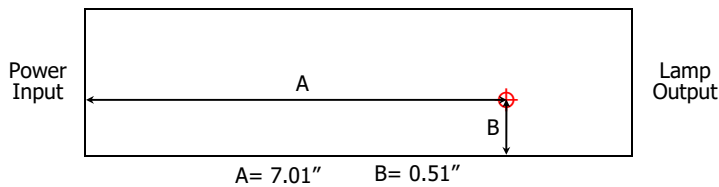
- UL/cUL 935 Listed (Class P, Type 1 Outdoor)
- CSA/C22.2 Certified
- RoHS Compliant
- No PCB's, Type HL
- Inherent Thermal Protection

CASE STYLE: CS-12E



L	W	H	M	S
9-1/2	1-3/8	1-1/8	8-7/8	5/16
9.50	1.38	1.13	8.88	0.31
24.13 cm	3.51 cm	2.87 cm	22.56 cm	0.79 cm

HOT SPOT LOCATION: (Top Label Side of Ballast)



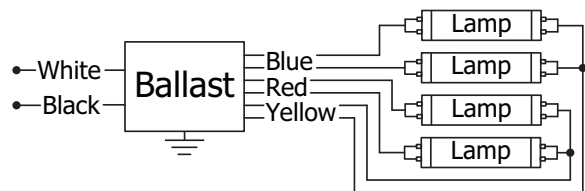
WARRANTY:

Robertson Worldwide warrants to the purchaser that this product will be free from defects in material or workmanship for a period of 5 years from date of manufacture when properly installed and under normal condition of use. Specifications subject to change without notice.

For more information on Robertson Worldwide products, visit www.RobertsonLighting.com

1748 Independence Blvd, Bldg. A, Sarasota, FL 34234, www.RobertsonLighting.com

WIRING DIAGRAM: WD-047C



- Black: 25"
- White: 25"
- Tolerance: +2.00, -1.00"
- Strip: 0.375" ± 0.060"
- Red: (2) 30"
- Blue: (2) 30"
- Yellow: (2) 45"
- Tolerance: +2.00, -1.00"
- Strip: 0.375" ± 0.060"