

HP1527P

Ballast Type: Electromagnetic
 Input Voltage: 277VAC +5%, -10%
 Input Frequency: 60Hz

Starting Method: Preheat Start
 Lamp Connection: Series

Unit Color: Black
 Unit Weight: 1.60 lbs.

ELECTRICAL SPECIFICATIONS:

Line Voltage (V)	Lamp Type	Lamp Watts	No. of Lamps	Line Current (A)	Input Power (W)	Power Factor	Max Current THD (%)	Current Crest Factor	Ballast Factor	Wiring Diagram
277	CFT13W/GX23, CFQ13W/GX23	13	1	0.08	20	≥ 0.90	≤ 30	≤ 1.7	1.00	102

PERFORMANCE:

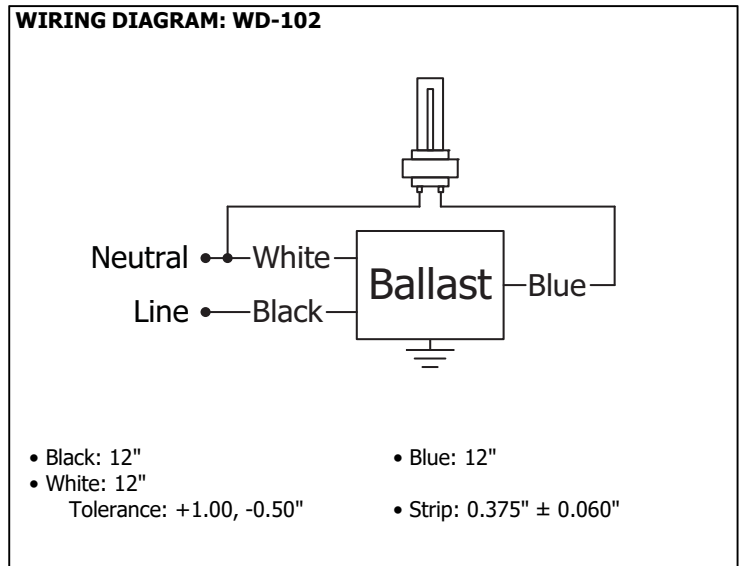
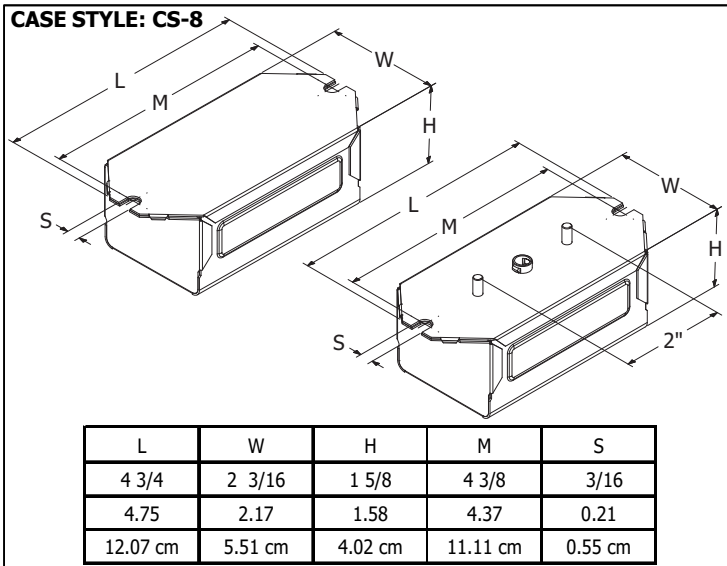
- Electromagnetic Reactor Type Ballast
- Preheat Start
- Series Operation
- High Power Factor
- Normal Ballast Factor
- Encased & Potted
- Sound Rated A
- Meets ANSI Standard C82.1 for Ballast Requirements

APPLICATION:

- Maximum Case Temperature: 194°F/90°C
- Maximum Ambient Temperature: 104°F/40°C
- Minimum Starting Temperature: 32°F/0°C
- Remote Mounting: 10 ft. Max. Lead Length, 18AWG

SAFETY/STANDARDS:

- UL/935 Listed (Class P, Type 1 Outdoor)
- No PCB's, Type HL
- Auto Reset Thermal Protection
- RoHS Compliant



WARRANTY:

Robertson Worldwide warrants to the purchaser that this product will be free from defects in material or workmanship for a period of 2 years from date of manufacture when properly installed and under normal condition of use. Specifications subject to change without notice.

For more information on Robertson Worldwide products, visit www.RobertsonLighting.com