

CC1420

Ballast Type: Electromagnetic
 Input Voltage: 120Vac +5%,-10%
 Input Frequency: 60Hz

Starting Method: Preheat Start
 Lamp Connection: Series

Unit Color: White
 Unit Weight: 0.61 lbs.

ELECTRICAL SPECIFICATIONS:

Line Voltage (V)	Lamp Type	Lamp Wattage (W)	No. of Lamps	Line Current (A)	Input Power (W)	Power Factor	Max Current THD (%)	Current Crest Factor	Ballast Factor	B.E.F.	Wiring Diagram
120	F20T12	20	1	0.26	18	≥0.59	≤10	≤1.6	0.69	3.83	001A
120	F15T12	15	1	0.31	18	≥0.48	≤10	≤1.6	0.95	5.28	001A
120	F14T12	14	1	0.32	19	≥0.48	≤10	≤1.6	0.85	4.47	001A
120	F15T8	15	1	0.28	18	≥0.52	≤10	≤1.6	0.82	4.56	001A
120	F14T8	14	1	0.31	18	≥0.48	≤10	≤1.6	0.84	4.67	001A

PERFORMANCE:

- Electromagnetic Reactor Type Ballast
- Preheat Start
- Series Operation
- Normal Power Factor
- Normal Ballast Factor
- Clamped Core and Coil
- Sound Rated A
- Meets ANSI Standard C82.1 for Ballast Requirements

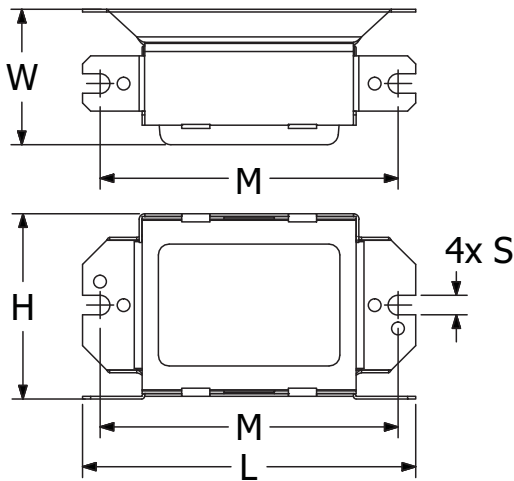
APPLICATION:

- Maximum Case Temperature 194°F/90°C
- Maximum Ambient Temperature 104°F/40°C
- Minimum Starting Temperature 50°F/10°C
- Remote Mounting 10 ft. Max. Lead Length, 18AWG

SAFETY/STANDARDS:

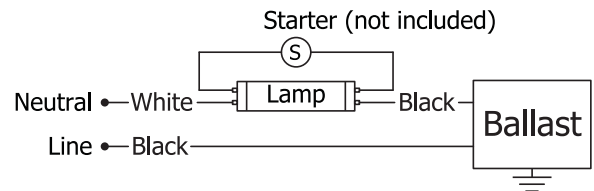
- UL/cUL 935 Listed (Type 1 Outdoor)
- CSA/C22.2 Certified
- RoHS Compliant
- No PCB's

CASE STYLE: CS-02V



L	W	H	M	S
3-1/16	1-1/4	1-23/32	2-3/4	3/16
3.06	1.25	1.72	2.75	0.19
7.77 cm	3.18 cm	4.34 cm	6.99 cm	0.47 cm

WIRING DIAGRAM: WD-001A



Ballast lead connections are interchangeable

- Black: 9"
- Tolerance: +1.00, -0.50"
- Strip: 0.375" ± 0.060"
- Black: 18"
- Tolerance: +2.00, -1.00"
- Strip: 0.375" ± 0.060"

WARRANTY:

Robertson Worldwide warrants to the purchaser that this product will be free from defects in material or workmanship for a period of 2 years from date of manufacture when properly installed and under normal condition of use. Specifications subject to change without notice.

For more information on Robertson Worldwide products, visit www.RobertsonLighting.com

1748 Independence Blvd, Bldg. A, Sarasota, FL 34234, www.RobertsonLighting.com