

BLU0050A05210

Ballast Type:	Electromagnetic
Input Voltage:	120Vac ±5%
Input Frequency:	60Hz

Circuit Type:	Reactor
Lamp Type:	High Pressure Sodium

Unit Color:	Raw
Unit Weight:	1.32 lbs.
Ignitor Weight:	0.25 lbs.

ELECTRICAL SPECIFICATIONS:

Line Voltage (V)	Lamp Type	Lamp Wattage (W)	No. of Lamps	Line Current (A)			Input Power (W)	Nominal Open Circuit Voltage	Power Factor	Wiring Diagram
				Operating	Open Circuit	Starting				
120	S68	50	1	1.20	0	1.75	60	120	≤50	301

PERFORMANCE:

- Electromagnetic Reactor Type Ballast
- Normal Power Factor
- Open Core and Coil
- Class H Insulation System 180°C

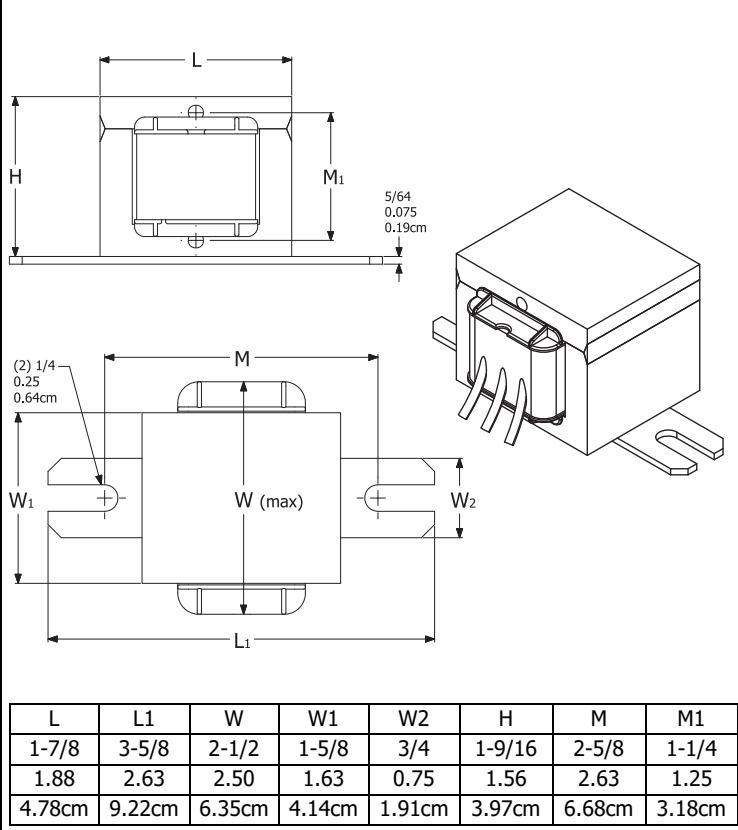
APPLICATION:

- Minimum Starting Temperature -40°F/-40°C
- Remote Mounting 10 ft. Max. Lead Length, 18AWG

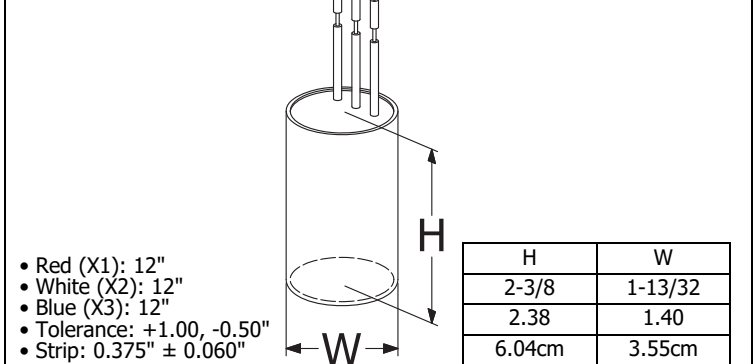
SAFETY/STANDARDS:

- UL/1029 Recognized Component
- CSA/C22.2 Certified
- UL Coil Temperature Code C
- RoHS Compliant

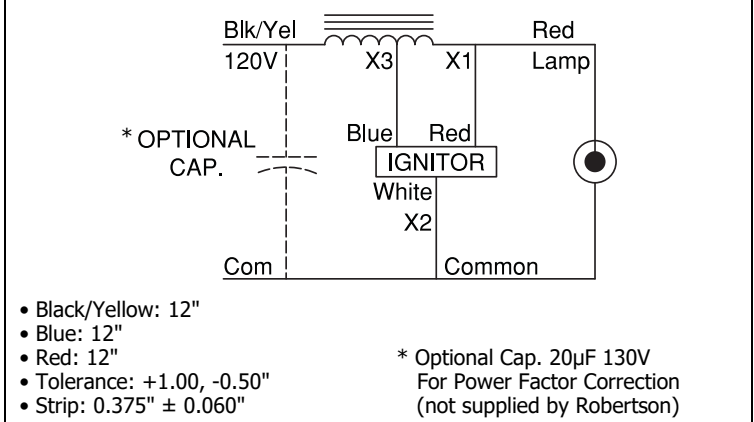
CASE STYLE: CS-41B1



Ignitor: 698001



WIRING DIAGRAM: WD-301



WARRANTY:

Robertson Worldwide warrants to the purchaser that this product will be free from defects in material or workmanship for a period of 2 years from date of manufacture when properly installed and under normal condition of use. Specifications subject to change without notice.

For more information on Robertson Worldwide products, visit www.RobertsonLighting.com

1748 Independence Blvd, Bldg. A, Sarasota, FL 34234, www.RobertsonLighting.com